

MINI EXCAVATOR SK10SR

Full-Scale Performance in Compact Size

For residential areas and industrial premises, you need a machine that can maneuver and swing within a compact radius. The SK10SR is designed to do just that, with smooth, powerful control, and great stability. Though small in size, it gives you all of the performance and durability you expect, and gets the job done fast!

More Powerful Working Performance

New, high-output engine installed. Big increase in maximum digging force.

Engine Power: **9.2 kW/2,000 min⁻¹**

Bucket Digging Force: **13.9 kN**

Arm Crowding Force: **6.6 kN**



Retractable Crawlers

Crawlers can be easily extended and retracted by operating a simple lever.



Wide Working Range

The SK10SR has plenty of working ranges.

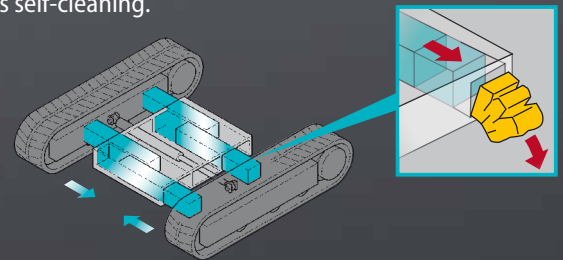
Max. Digging Reach: **3,350 mm**

Max. Digging Height: **3,150 mm**

Max. Digging Depth: **1,950 mm**

Self-cleaning/Retractable Crawler Frames

The hydraulic retractable side frames are strong and durable, as well as self-cleaning.



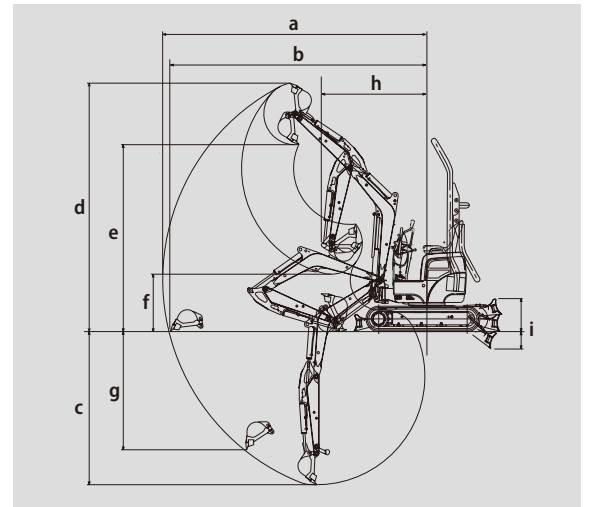
SPECIFICATIONS

MODEL		SK10SR	
Type		SK10SR-3	
PERFORMANCE			
Bucket Capacity	m ³	0.028	
Travel Speed (high/low)	km/h	2.1	
Swing Speed	min ⁻¹ {rpm}	10.0	
Gradeability	% (degree)	47 (30)	
Drawbar Pulling Force	kN	8.3	
Bucket Digging Force	kN	13.9	
Arm Crowding Force	kN	6.6	
WEIGHT			
Machine Mass	kg	1,220	
Ground Pressure	kPa	25.3	
Shoe Type		Rubber	
ENGINE			
Model		Yanmar 3TNV70-WBVE	
Type		Water-cooled, 4-cycle, 3-cylinder	
Power Output NET (ISO 9249)	kW/min ⁻¹ (rpm)	9.2/2,000	
Max. Torque NET (ISO 9249)	N-m/min ⁻¹ (rpm)	50.1/1,500	
Displacement	L	0.854	
Fuel Tank	L	12	
HYDRAULIC SYSTEM			
Pump		Two variable displacement pumps	
Max. Discharge Flow	L/min	2 x 11	
Relief Valve Setting	MPa	20.6	
Hydraulic Oil Tank (system)	L	14.3	
DOZER BLADE			
Width x Height	mm	830/1,000 x 220	
Working Ranges (height/depth)	mm	210/220	
SIDE DIGGING MECHANISM			
Type		Boom swing	
Offset Angle	To the left	degree	50
	To the right	degree	90

WORKING RANGES

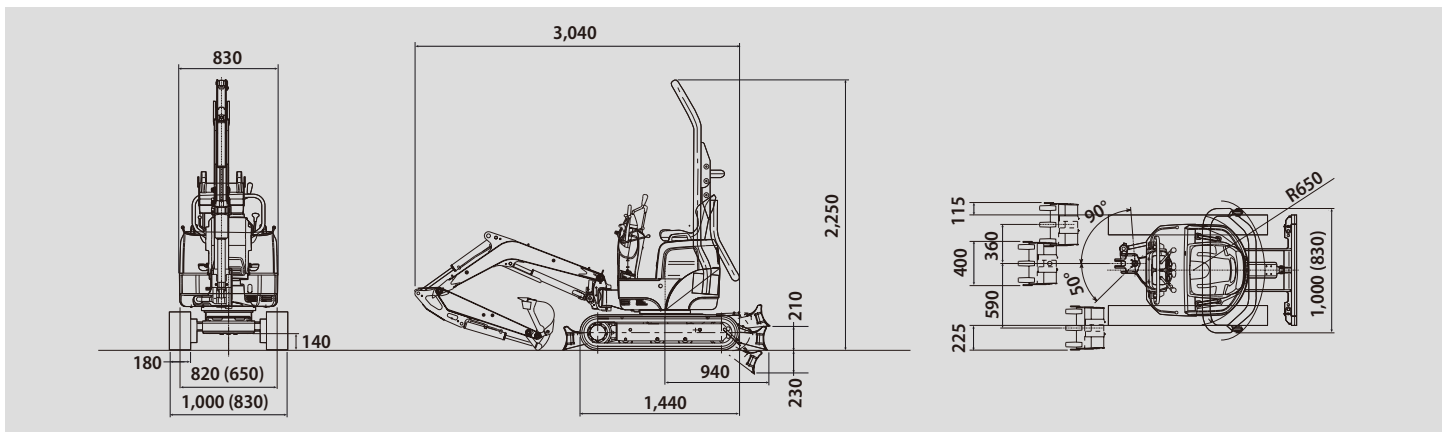
Unit: mm

MODEL	SK10SR
a- Max. digging reach	3,350
b- Max. digging reach at ground level	3,270
c- Max. digging depth	1,970
d- Max. digging height	3,150
e- Max. dumping clearance	2,370
f- Min. dumping clearance	730
g- Max. vertical wall digging depth	1,650
h- Min. swing radius	1,330 (1,080)
i- Dozer blade (height/depth)	210/220



GENERAL DIMENSIONS

Unit: mm



Note: This catalog may contain attachments and optional equipment that are not available in your area. And it may contain photographs of machines with specifications that differ from those of machines sold in your areas. Please consult your nearest KOBELCO distributor for those items you require.

Specialist equipment is needed to use these machines in demolition work. Before using it please contact your KOBELCO dealer.

Due to our policy of continuous product improvements all designs and specifications are subject to change without advance notice.

Copyright by KOBELCO CONSTRUCTION MACHINERY EUROPE B.V. No part of this catalog may be reproduced in any manner without notice.

Kobelco Construction Machinery Europe B.V.

Veluwezoom 15
1327 AE Almere
The Netherlands
www.kobelco-europe.com

Inquiries To: