

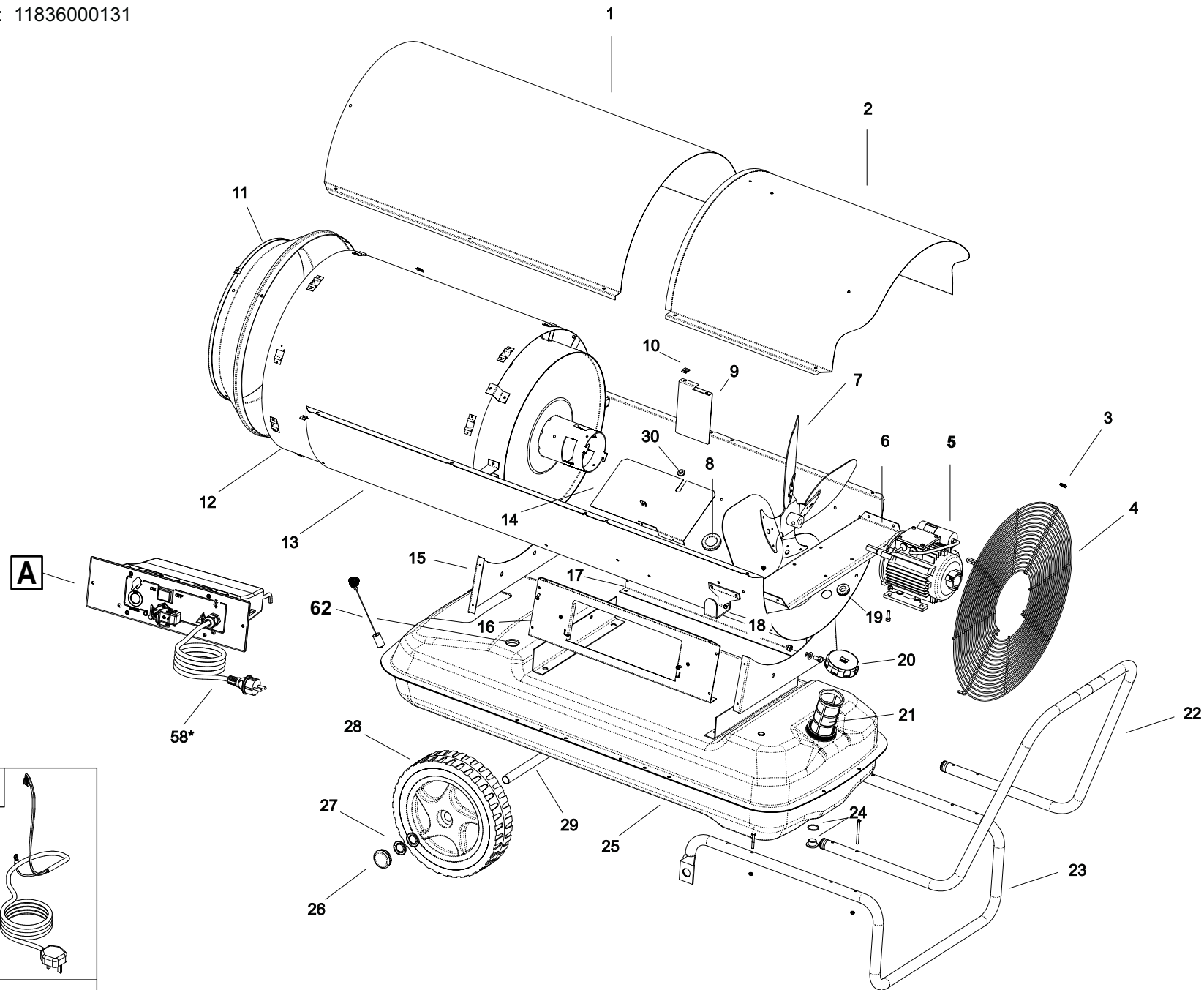
MODEL B360 E

UNIT 1

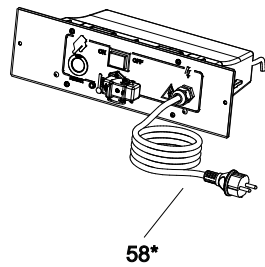
ILLUSTRATED PARTS BREAKDOWN

From Serial Number: 11836000131

Rev.G - Apr. 2016

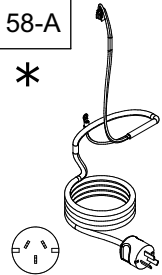


A



58-A

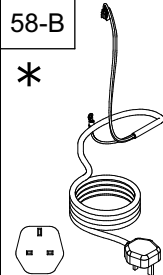
*



POWER CORD
NEW ZEALAND

58-B

*



POWER CORD UK

MODEL B360 E

UNIT 3

PARTS LIST

POS.	Code NR	Description	Rev. G - Apr. 2016
1	4111.604	UPPER BODY	
2	4033.263	UPPER BODY MOBILE	
3	4111.241	ELASTIC PLATE Ø 4,2	
4	4032.465	INLET GRILL	
5	4032.370	MOTOR	
6	4032.463	MOTOR FLANGE SUPPORT	
7	4033.019	FAN	
8	4111.056	PROTECTION CABLE	
9	4032.518	CENTRAL AIR FLAP	
10	4104.170	CLIP NUT	
11	4033.223	OUTLET CONE	
12	4033.197	COMBUSTION CHAMBER	
13	4033.264	LOWER BODY	
14	4111.610	AIR FLAP	
15	4032.470	BASE	
16	4032.466	ELECTR. COMPONENTS DRAWER PANEL	
17	4032.468	SIDE PANEL	
18	4032.536	POWER CORD HOOK	
19	4160.646	PROTECTION CABLE	
20	4260.100	TANK CAP	
21	4290.213	TANK FILTER	
22	4032.480	HANDLE FRAME	
23	4032.476	FOOT FRAME	
24	4100.632	DRAIG PLUG	
25	4033.243	FUEL TANK	
26	4111.480	WHEEL PLUG	
27	4111.072	WHEEL PLUG Ø 20	
28	4110.978	WHEEL	
29	4032.478	AXLE	
30	4101.151	PROTECTION CABLE	
32	4031.068	CONN. STRAIGHT 1/4"	
33	4031.062	FUEL PIPE PUMP-TANK	
34	4031.067	PIPE CONNECTION 1/4"	
35	4031.063	FUEL PIPE TANK-FILTER	
36	4032.437	FILTER SUPPORT	
37	4033.090	FILTER WITH CARTIDGE 3/8"	
38	4031.494	FILTER CARTIDGE	
39	4031.064	DOUBLE SCREW	
40	4031.061	FUEL PIPE FILTER-PUMP	
41	4111.116	OR KIT FILTER	
43	4160.646	PROTECTION CABLE	
44	4033.257	PLASTIX BOX	
45	4110.490	HT CABLE	
46	4033.256	POWER CORD TRANSFORMATOR HT	
47	4031.541	TRANSFORMER HT	
48	4033.249	CONTROL BASE	
49	4032.774	CONTROL BOX	
50	4160.639	POP RIVET 4 WAY	
51	4111.032	RELAY	
52	4111.040	FUSE	
53	4033.301	FUSE HOLDER	
54	4033.248	FRONTAL CONTROLS PANEL	
55	4033.254	PANEL LABEL	
56	4100.656	LOCKNUT	

MODEL B360 E

UNIT 4

PARTS LIST

POS.	Code NR	Description	Rev. G - Apr. 2016
57	4150.528	STRAIN RELIEF BUSHING	
58	4033.253	POWER CORD SCHUKO	
58-A	4033.252	POWER CORD NEW ZEALAND	
58-B	4033.302	POWER CORD UK	
59	4162.467	THERMOSTAT CAP	
60	4161.400	CONNECTION PLUG	
61	4160.647	THERMOSTAT SOCKET 90°	
62	4260.105	FUEL GAUGE	
63	4165.204	ROCKER SWITCH	
64	4033.251	BOARD BUTTON CAP	
71	4111.081	COUPLING	
72	4033.122	PUMP	
73	4161.501	CONN. STRAIGHT 1/8"	
74	4033.198	ELBOW 1/8"	
75	4033.186	OIL SUPPLY PIPE	
76	4033.311	PUMP POWER CORD	
77	4033.246	PHOTOCELL	
80	4033.059	BURNER FLANGE	
81	4111.143	NOZZLE	
82	4033.071	TURBO DISC	
83	4032.454	M6 NUT	
84	4032.453	AIR REGULATION FLAP	
86	4031.047	LIMIT THERMOSTAT	
87	4111.826	ELECTRODE	

RECOMMENDED SPARE PARTS

POS.	Code NR	Description	Rev. G - Apr. 2016
5	4032.370	MOTOR	
38	4031.494	FILTER CARTIDGE	
41	4111.116	OR KIT FILTER	
45	4110.490	HT CABLE	
47	4031.541	TRANSFORMER HT	
49	4032.774	CONTROL BOX	
51	4111.032	RELAY	
52	4111.040	FUSE	
59	4162.467	THERMOSTAT CAP	
71	4111.081	COUPLING	
72	4033.122	PUMP	
76	4033.311	POWER CORD PUMP	
77	4033.246	PHOTOCELL	
81	4111.143	NOZZLE	
86	4031.047	LIMIT THERMOSTAT	
87	4111.826	ELECTRODE	

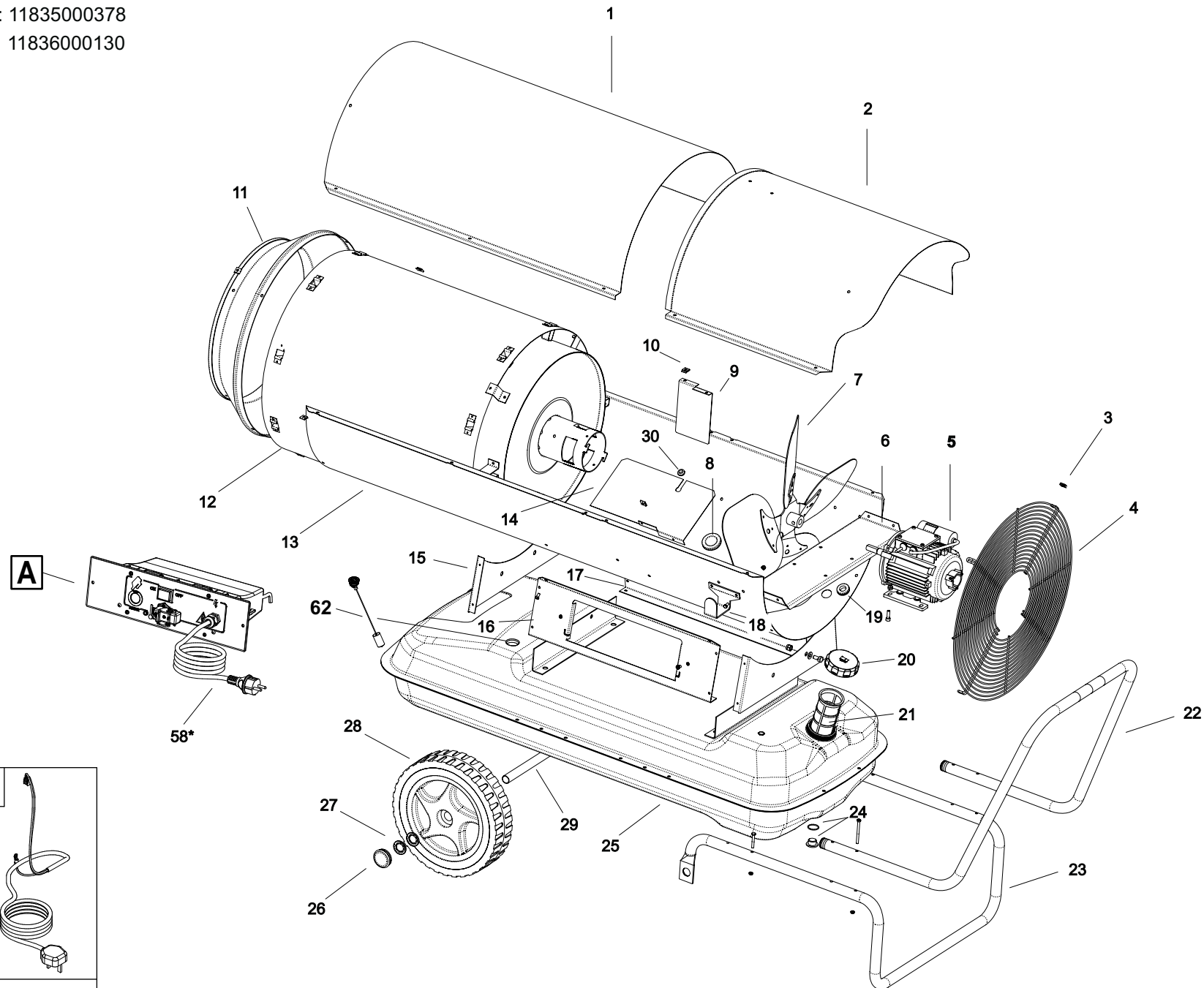
MODEL B360 E

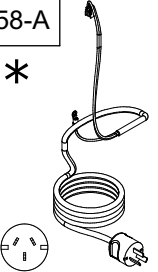
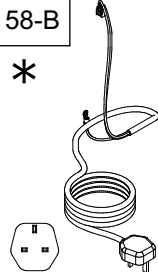


UNIT 1

ILLUSTRATED PARTS BREAKDOWN

From Serial Number: 11835000378
Until Serial Number: 11836000130

Rev.F - SEPT. 2015



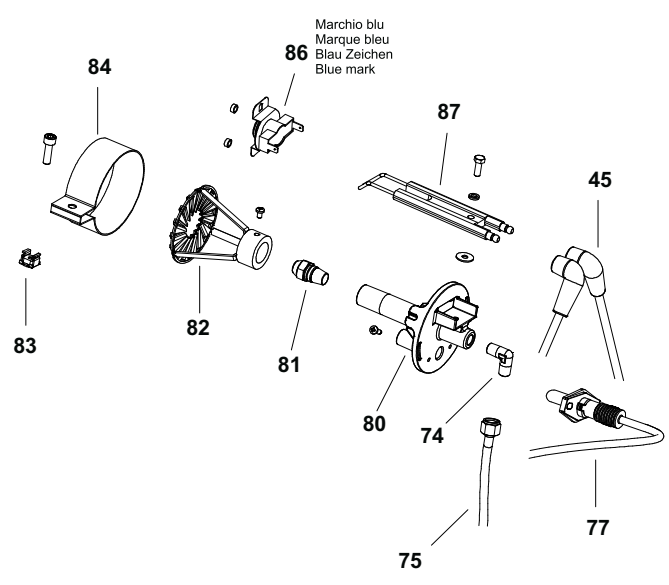
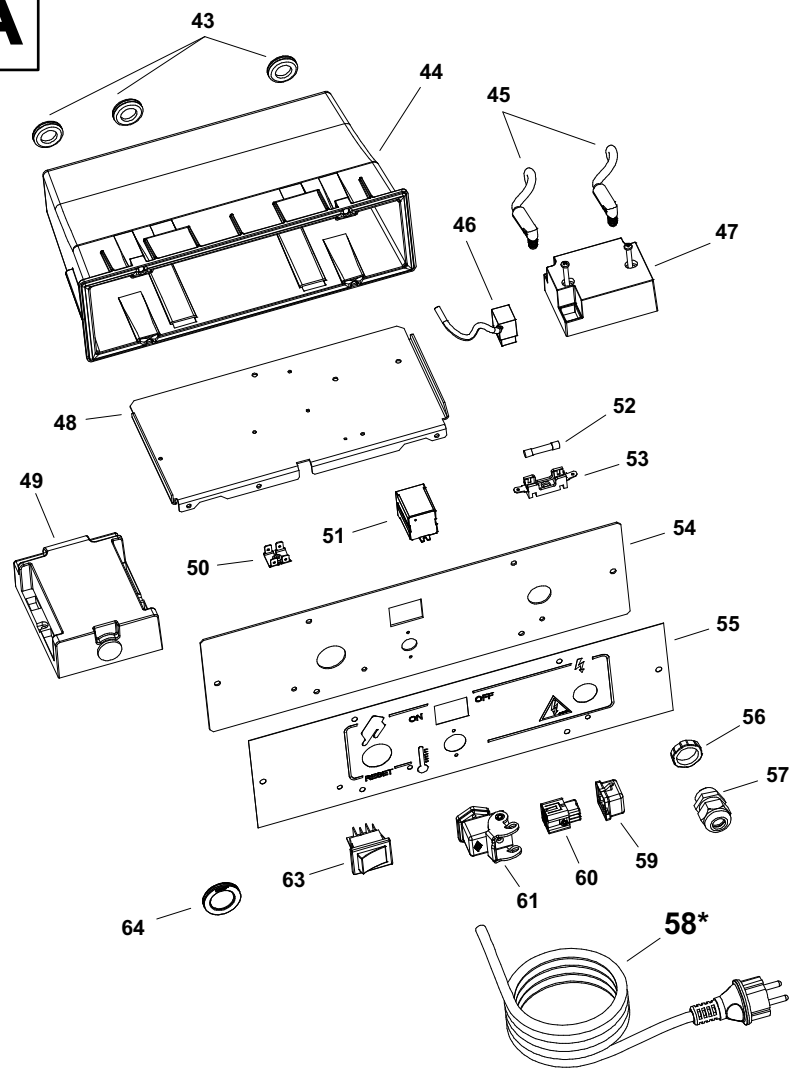
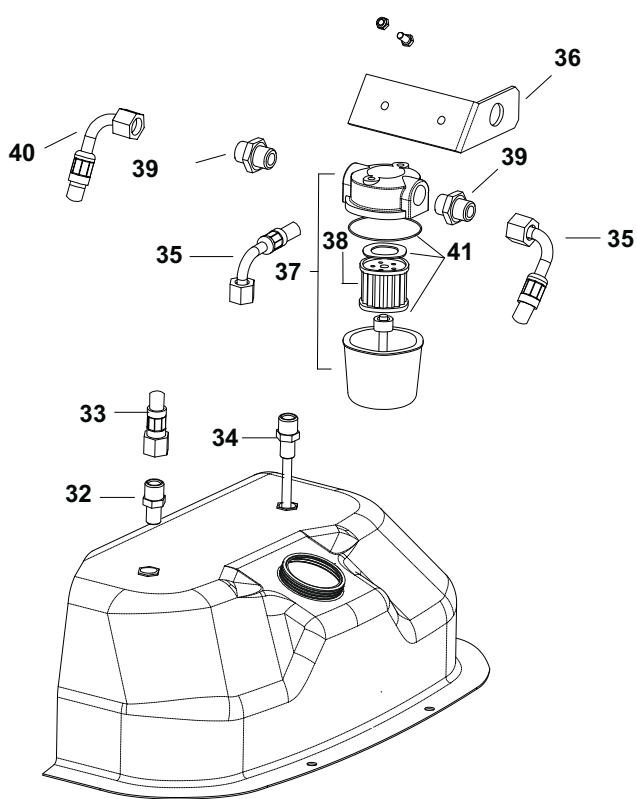
58-A		58-B	
*		*	
			
POWER CORD NEW ZEALAND		POWER CORD UK	

MODEL B360 E

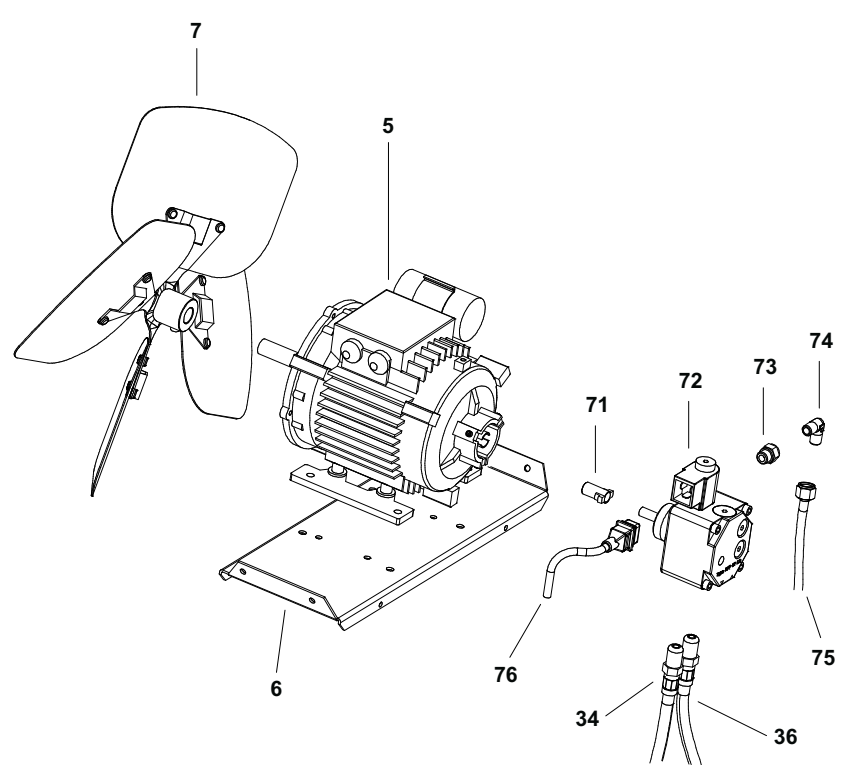
UNIT 2

ILLUSTRATED PARTS BREAKDOWN

A



Marchio blu
Marque bleu
Blau Zeichen
Blue mark



MODEL B360 E

UNIT 3

PARTS LIST

POS.	Code NR	Description	Rev. F - SEPT. 2015
1	4111.604	UPPER BODY	
2	4033.263	UPPER BODY MOBILE	
3	4111.241	ELASTIC PLATE Ø 4,2	
4	4032.465	INLET GRILL	
5	4032.370	MOTOR	
6	4032.463	MOTOR FLANGE SUPPORT	
7	4033.019	FAN	
8	4111.056	PROTECTION CABLE	
9	4032.518	CENTRAL AIR FLAP	
10	4104.170	CLIP NUT	
11	4033.223	OUTLET CONE	
12	4033.197	COMBUSTION CHAMBER	
13	4033.264	LOWER BODY	
14	4111.610	AIR FLAP	
15	4032.470	BASE	
16	4032.466	ELECTR. COMPONENTS DRAWER PANEL	
17	4032.468	SIDE PANEL	
18	4032.536	POWER CORD HOOK	
19	4160.646	PROTECTION CABLE	
20	4260.100	TANK CAP	
21	4290.213	TANK FILTER	
22	4032.480	HANDLE FRAME	
23	4032.476	FOOT FRAME	
24	4100.632	DRAIG PLUG	
25	4033.243	FUEL TANK	
26	4111.480	WHEEL PLUG	
27	4111.072	WHEEL PLUG Ø 20	
28	4110.978	WHEEL	
29	4032.478	AXLE	
30	4101.151	PROTECTION CABLE	
32	4031.068	CONN. STRAIGHT 1/4"	
33	4031.062	FUEL PIPE PUMP-TANK	
34	4031.067	PIPE CONNECTION 1/4"	
35	4031.063	FUEL PIPE TANK-FILTER	
36	4032.437	FILTER SUPPORT	
37	4033.090	FILTER WITH CARTIDGE 3/8"	
38	4031.494	FILTER CARTIDGE	
39	4031.064	DOUBLE SCREW	
40	4031.061	FUEL PIPE FILTER-PUMP	
41	4111.116	OR KIT FILTER	
43	4160.646	PROTECTION CABLE	
44	4033.257	PLASTIX BOX	
45	4110.490	HT CABLE	
46	4033.256	POWER CORD TRANSFORMATOR HT	
47	4031.541	TRANSFORMER HT	
48	4033.249	CONTROL BASE	
49	4033.330	CONTROL BOX	
50	4160.639	POP RIVET 4 WAY	
51	4111.032	RELAY	
52	4111.040	FUSE	
53	4033.301	FUSE HOLDER	
54	4033.248	FRONTAL CONTROLS PANEL	
55	4033.254	PANEL LABEL	
56	4100.656	LOCKNUT	

MODEL B360 E

UNIT 4

PARTS LIST

POS.	Code NR	Description	Rev. F - SEPT. 2015
57	4150.528	STRAIN RELIEF BUSHING	
58	4033.253	POWER CORD SCHUKO	
58-A	4033.252	POWER CORD NEW ZEALAND	
58-B	4033.302	POWER CORD UK	
59	4162.467	THERMOSTAT CAP	
60	4161.400	CONNECTION PLUG	
61	4160.647	THERMOSTAT SOCKET 90°	
62	4260.105	FUEL GAUGE	
63	4165.204	ROCKER SWITCH	
64	4033.251	BOARD BUTTON CAP	
71	4111.081	COUPLING	
72	4033.122	PUMP	
73	4161.501	CONN. STRAIGHT 1/8"	
74	4033.198	ELBOW 1/8"	
75	4033.186	OIL SUPPLY PIPE	
76	4033.311	PUMP POWER CORD	
77	4033.246	PHOTOCELL	
80	4033.059	BURNER FLANGE	
81	4111.143	NOZZLE	
82	4033.071	TURBO DISC	
83	4032.454	M6 NUT	
84	4032.453	AIR REGULATION FLAP	
86	4031.047	LIMIT THERMOSTAT	
87	4111.826	ELECTRODE	

RECOMMENDED SPARE PARTS

POS.	Code NR	Description	Rev. F - SEPT. 2015
5	4032.370	MOTOR	
38	4031.494	FILTER CARTIDGE	
41	4111.116	OR KIT FILTER	
45	4110.490	HT CABLE	
47	4031.541	TRANSFORMER HT	
49	4033.330	CONTROL BOX	
51	4031.514	RELAY	
52	4111.040	FUSE	
59	4162.467	THERMOSTAT CAP	
71	4111.081	COUPLING	
72	4033.122	PUMP	
76	4033.311	POWER CORD PUMP	
77	4033.246	PHOTOCELL	
81	4111.143	NOZZLE	
86	4031.047	LIMIT THERMOSTAT	
87	4111.826	ELECTRODE	

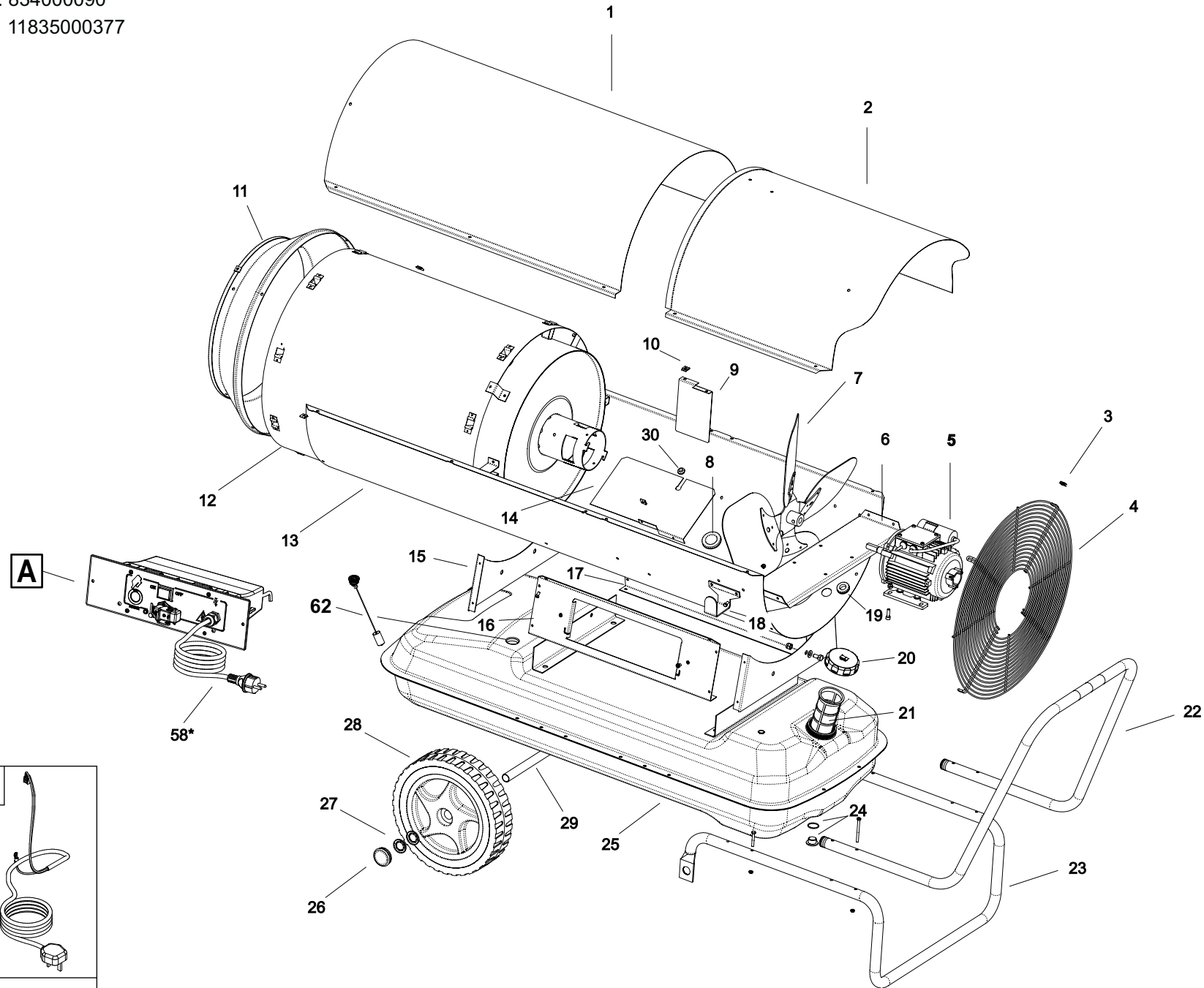
MODEL B360 E

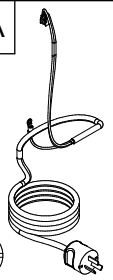


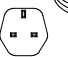
UNIT 1

ILLUSTRATED PARTS BREAKDOWN

From Serial Number: 834000090
Until Serial Number: 11835000377

Rev.E - June 2014



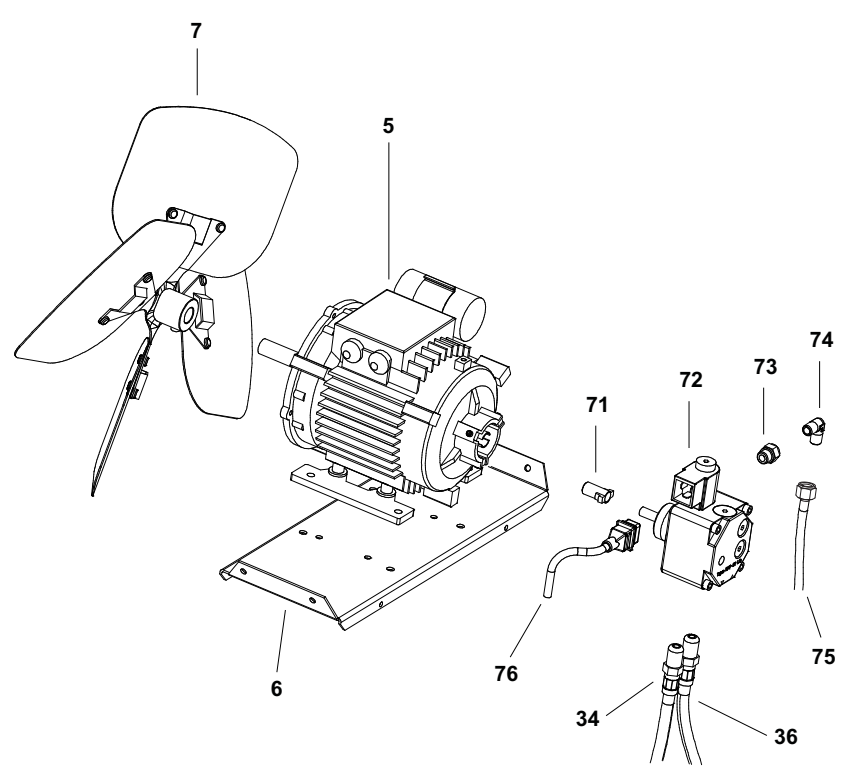
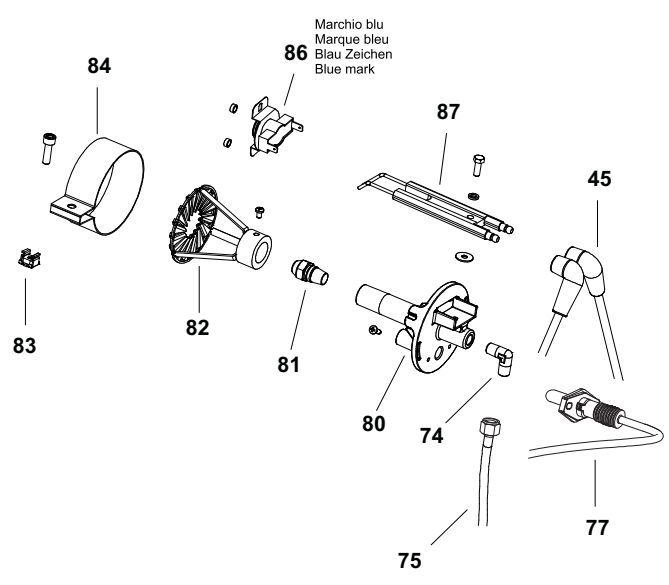
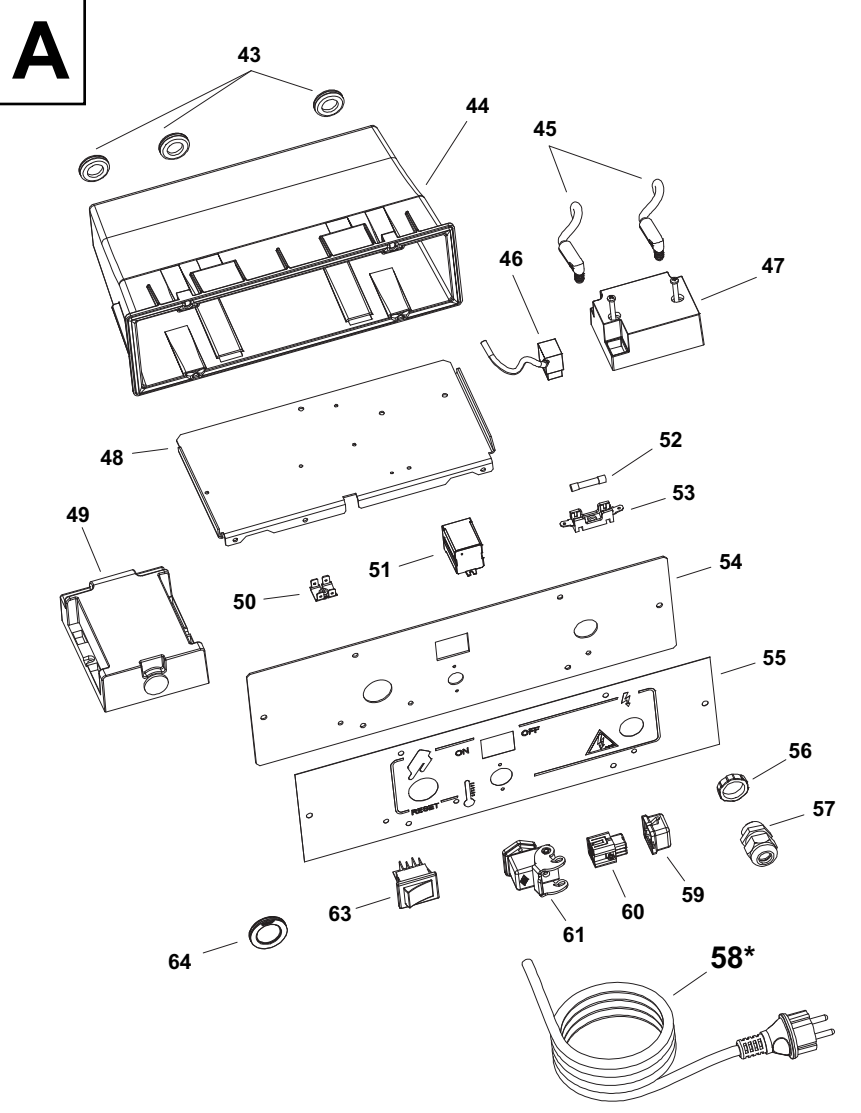
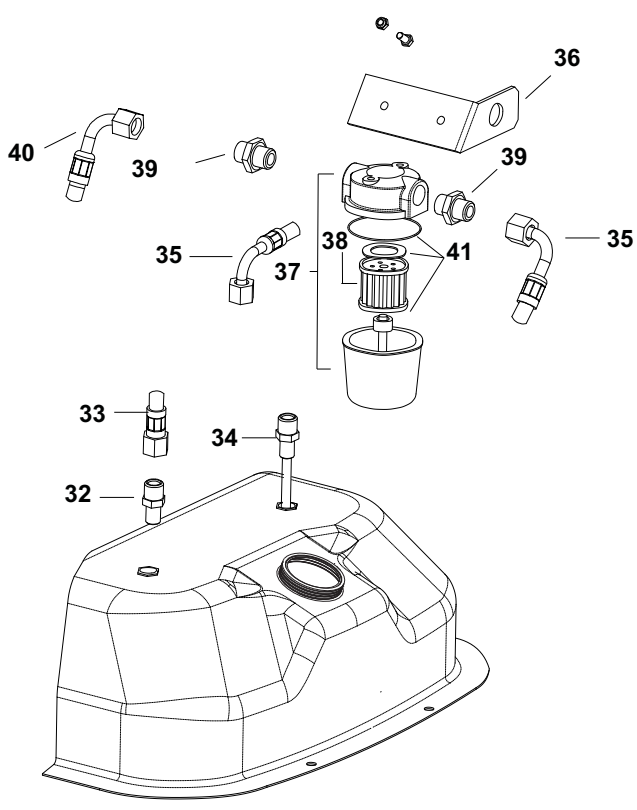
58-A		58-B	
*		*	
			
POWER CORD NEW ZEALAND		POWER CORD UK	

MODEL B360 E

UNIT 2

ILLUSTRATED PARTS BREAKDOWN

A



Marchio blu
Marque bleu
Blau Zeichen
Blue mark

MODEL B360 E

UNIT 3

PARTS LIST

POS.	Code NR	Description	Rev. E - June 2014
1	4111.604	UPPER BODY	
2	4033.263	UPPER BODY MOBILE	
3	4111.241	ELASTIC PLATE Ø 4,2	
4	4032.465	INLET GRILL	
5	4032.370	MOTOR	
6	4032.463	MOTOR FLANGE SUPPORT	
7	4033.019	FAN	
8	4111.056	PROTECTION CABLE	
9	4032.518	CENTRAL AIR FLAP	
10	4104.170	CLIP NUT	
11	4033.223	OUTLET CONE	
12	4033.197	COMBUSTION CHAMBER	
13	4033.264	LOWER BODY	
14	4111.610	AIR FLAP	
15	4032.470	BASE	
16	4032.466	ELECTR. COMPONENTS DRAWER PANEL	
17	4032.468	SIDE PANEL	
18	4032.536	POWER CORD HOOK	
19	4160.646	PROTECTION CABLE	
20	4260.100	TANK CAP	
21	4290.083	TANK FILTER	
22	4032.480	HANDLE FRAME	
23	4032.476	FOOT FRAME	
24	4100.632	DRAIG PLUG	
25	4033.243	FUEL TANK	
26	4111.480	WHEEL PLUG	
27	4111.072	WHEEL PLUG Ø 20	
28	4110.978	WHEEL	
29	4032.478	AXLE	
30	4101.151	PROTECTION CABLE	
32	4031.068	CONN. STRAIGHT 1/4"	
33	4031.062	FUEL PIPE PUMP-TANK	
34	4031.067	PIPE CONNECTION 1/4"	
35	4031.063	FUEL PIPE TANK-FILTER	
36	4032.437	FILTER SUPPORT	
37	4033.090	FILTER WITH CARTIDGE 3/8"	
38	4031.494	FILTER CARTIDGE	
39	4031.064	DOUBLE SCREW	
40	4031.061	FUEL PIPE FILTER-PUMP	
41	4111.116	OR KIT FILTER	
43	4160.646	PROTECTION CABLE	
44	4033.257	PLASTIX BOX	
45	4110.490	HT CABLE	
46	4033.256	POWER CORD TRANSFORMATOR HT	
47	4031.541	TRANSFORMER HT	
48	4033.249	CONTROL BASE	
49	4033.330	CONTROL BOX	
50	4160.639	POP RIVET 4 WAY	
51	4111.032	RELAY	
52	4111.040	FUSE	
53	4033.301	FUSE HOLDER	
54	4033.248	FRONTAL CONTROLS PANEL	
55	4033.254	PANEL LABEL	
56	4100.656	LOCKNUT	

MODEL B360 E

UNIT 4

PARTS LIST

POS.	Code NR	Description	Rev. E - June 2014
57	4150.528	STRAIN RELIEF BUSHING	
58	4033.253	POWER CORD SCHUKO	
58-A	4033.252	POWER CORD NEW ZEALAND	
58-B	4033.302	POWER CORD UK	
59	4162.467	THERMOSTAT CAP	
60	4161.400	CONNECTION PLUG	
61	4160.647	THERMOSTAT SOCKET 90°	
62	4260.105	FUEL GAUGE	
63	4165.204	ROCKER SWITCH	
64	4033.251	BOARD BUTTON CAP	
71	4111.081	COUPLING	
72	4033.122	PUMP	
73	4161.501	CONN. STRAIGHT 1/8"	
74	4033.198	ELBOW 1/8"	
75	4033.186	OIL SUPPLY PIPE	
76	4033.087	PUMP POWER CORD	
77	4033.246	PHOTOCELL	
80	4033.059	BURNER FLANGE	
81	4111.143	NOZZLE	
82	4033.071	TURBO DISC	
83	4032.454	M6 NUT	
84	4032.453	AIR REGULATION FLAP	
86	4031.047	LIMIT THERMOSTAT	
87	4111.826	ELECTRODE	

RECOMMENDED SPARE PARTS

POS.	Code NR	Description	Rev. E - June 2014
5	4032.370	MOTOR	
38	4031.494	FILTER CARTIDGE	
41	4111.116	OR KIT FILTER	
45	4110.490	HT CABLE	
47	4031.541	TRANSFORMER HT	
49	4033.330	CONTROL BOX	
51	4031.514	RELAY	
52	4111.040	FUSE	
59	4162.467	THERMOSTAT CAP	
71	4111.081	COUPLING	
72	4033.122	PUMP	
76	4033.087	POWER CORD PUMP	
77	4033.246	PHOTOCELL	
81	4111.143	NOZZLE	
86	4031.047	LIMIT THERMOSTAT	
87	4111.826	ELECTRODE	

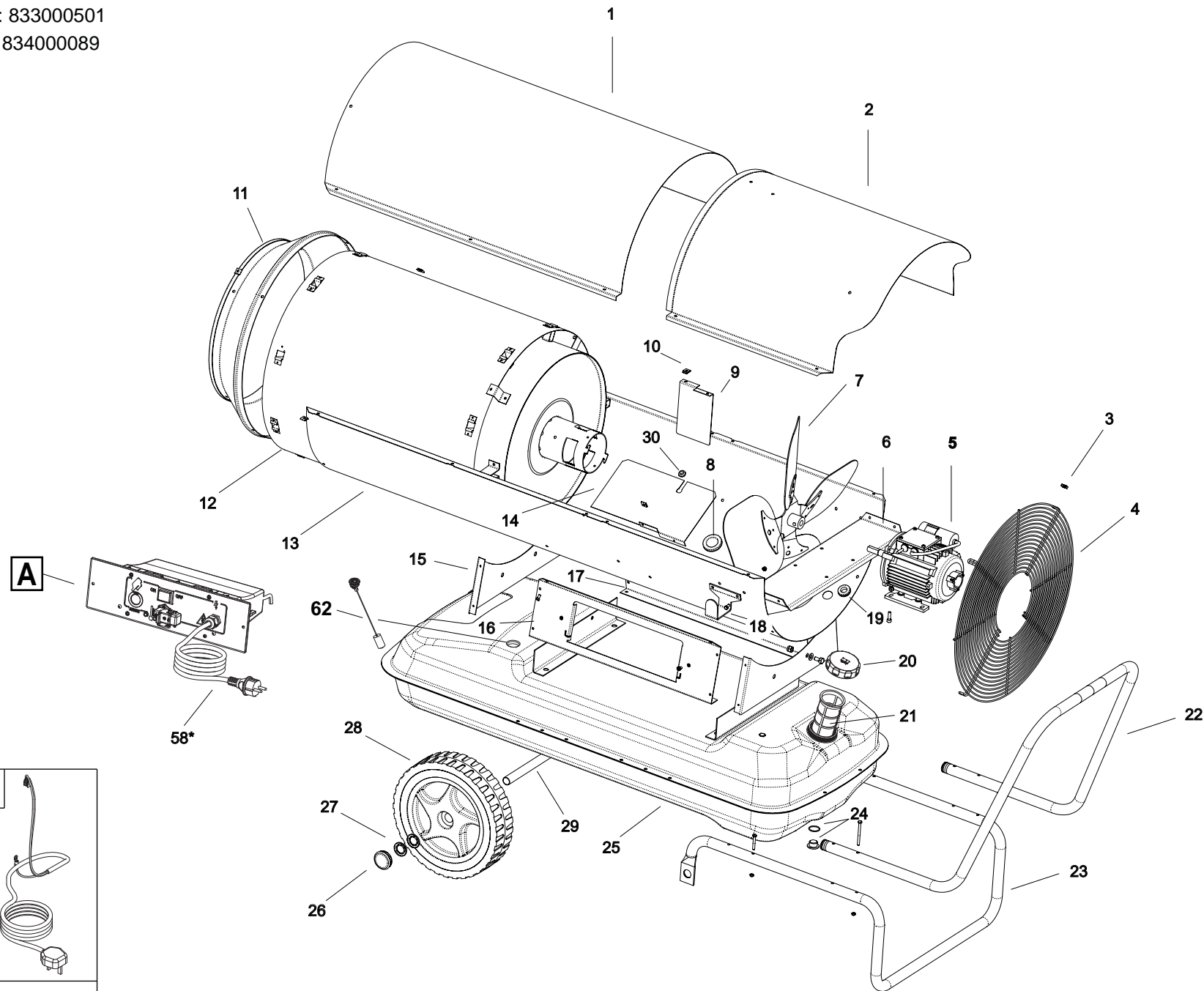
MODEL B360 E

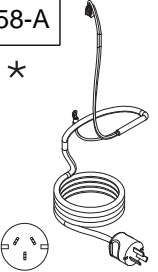



UNIT 1

ILLUSTRATED PARTS BREAKDOWN

From Serial Number: 833000501
Until Serial Number: 834000089

Rev.D - May 2013



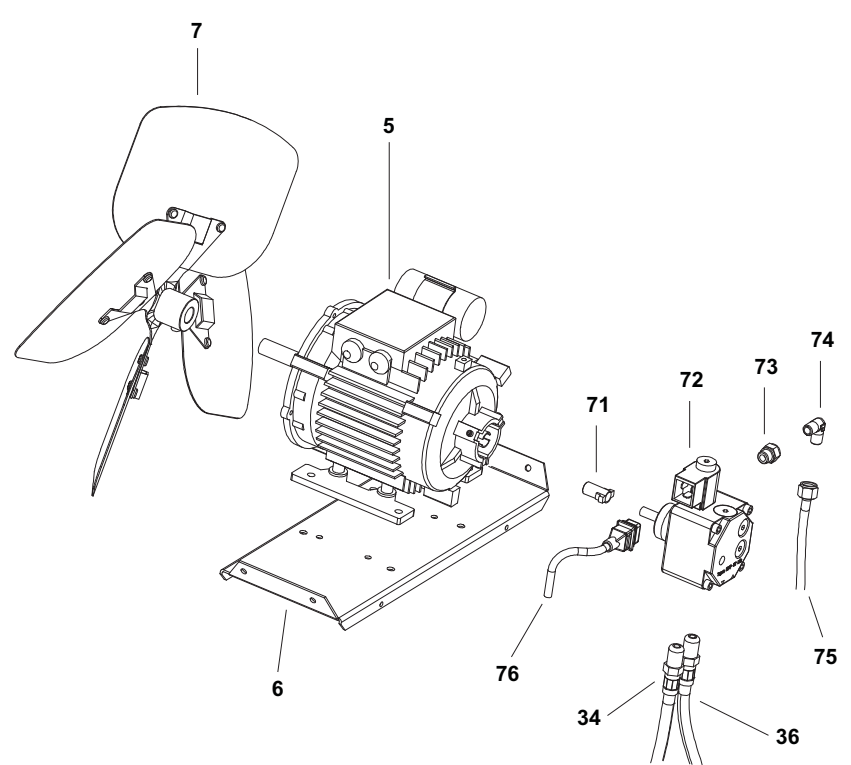
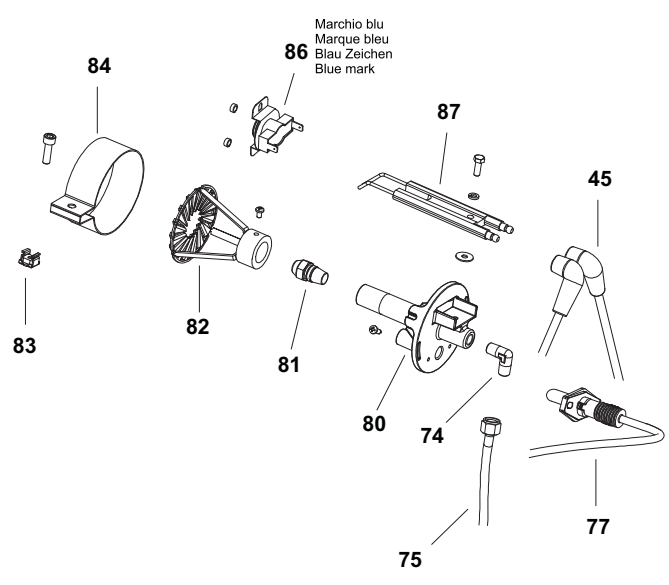
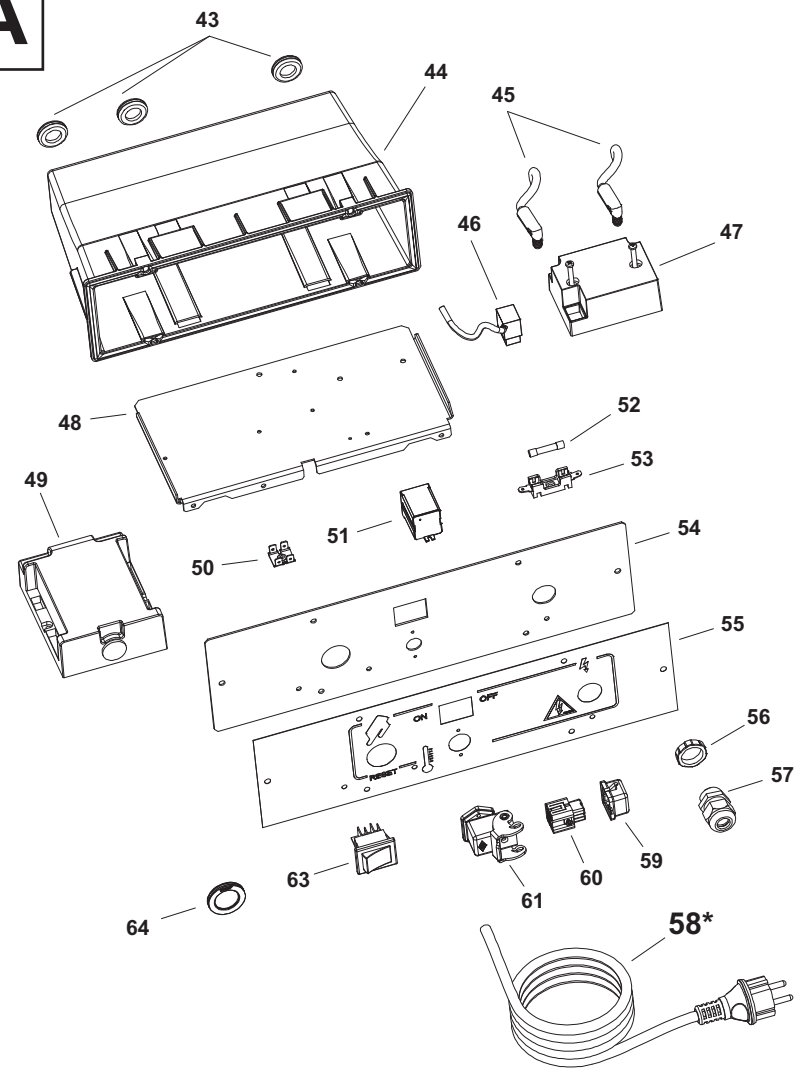
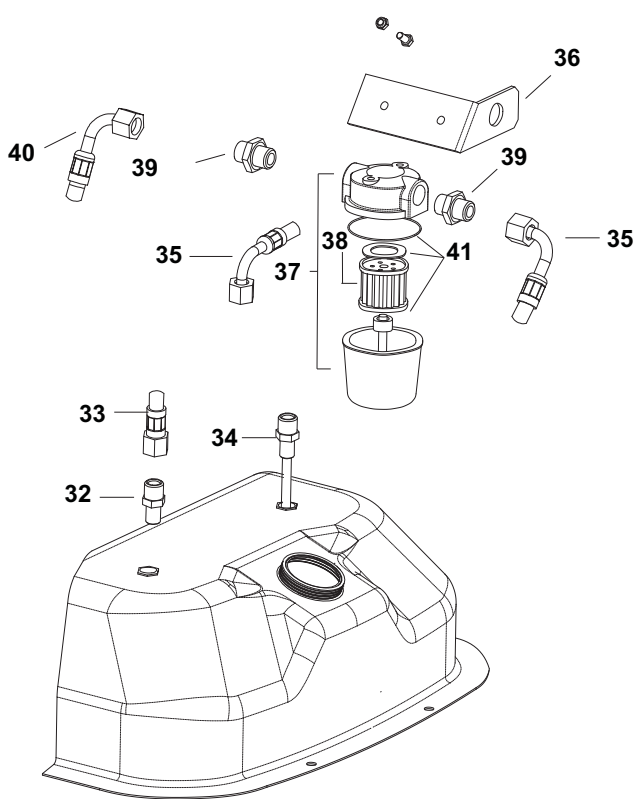
58-A		58-B	
*		*	
			
POWER CORD NEW ZEALAND		POWER CORD UK	

MODEL B360 E

UNIT 2

ILLUSTRATED PARTS BREAKDOWN

A



MODEL B360 E

UNIT 3

PARTS LIST

POS.	Code NR	Description	Rev. D - May 2013
1	4111.604	UPPER BODY	
2	4033.263	UPPER BODY MOBILE	
3	4111.241	ELASTIC PLATE Ø 4,2	
4	4032.465	INLET GRILL	
5	4032.370	MOTOR	
6	4032.463	MOTOR FLANGE SUPPORT	
7	4033.019	FAN	
8	4111.056	PROTECTION CABLE	
9	4032.518	CENTRAL AIR FLAP	
10	4104.170	CLIP NUT	
11	4033.223	OUTLET CONE	
12	4033.197	COMBUSTION CHAMBER	
13	4033.264	LOWER BODY	
14	4111.610	AIR FLAP	
15	4032.470	BASE	
16	4032.466	ELECTR. COMPONENTS DRAWER PANEL	
17	4032.468	SIDE PANEL	
18	4032.536	POWER CORD HOOK	
19	4160.646	PROTECTION CABLE	
20	4260.100	TANK CAP	
21	4290.083	TANK FILTER	
22	4032.480	HANDLE FRAME	
23	4032.476	FOOT FRAME	
24	4100.632	DRAIG PLUG	
25	4033.243	FUEL TANK	
26	4111.480	WHEEL PLUG	
27	4111.072	WHEEL PLUG Ø 20	
28	4110.978	WHEEL	
29	4032.478	AXLE	
30	4101.151	PROTECTION CABLE	
32	4031.068	CONN. STRAIGHT 1/4"	
33	4031.062	FUEL PIPE PUMP-TANK	
34	4031.067	PIPE CONNECTION 1/4"	
35	4031.063	FUEL PIPE TANK-FILTER	
36	4032.437	FILTER SUPPORT	
37	4033.090	FILTER WITH CARTIDGE 3/8"	
38	4031.494	FILTER CARTIDGE	
39	4031.064	DOUBLE SCREW	
40	4031.061	FUEL PIPE FILTER-PUMP	
41	4111.116	OR KIT FILTER	
43	4160.646	PROTECTION CABLE	
44	4033.257	PLASTIX BOX	
45	4110.490	HT CABLE	
46	4033.256	POWER CORD TRANSFORMATOR HT	
47	4106.238	KIT TRANSFORMER HT	
48	4033.249	CONTROL BASE	
49	4033.250	CONTROL BOX	
50	4160.639	POP RIVET 4 WAY	
51	4111.032	RELAY	
52	4111.040	FUSE	
53	4033.301	FUSE HOLDER	
54	4033.248	FRONTAL CONTROLS PANEL	
55	4033.254	PANEL LABEL	
56	4100.656	LOCKNUT	

MODEL B360 E

UNIT 4

PARTS LIST

POS.	Code NR	Description	Rev. D - May 2013
57	4150.528	STRAIN RELIEF BUSHING	
58	4033.253	POWER CORD SCHUKO	
58-A	4033.252	POWER CORD NEW ZEALAND	
58-B	4033.302	POWER CORD UK	
59	4162.467	THERMOSTAT CAP	
60	4161.400	CONNECTION PLUG	
61	4160.647	THERMOSTAT SOCKET 90°	
62	4260.105	FUEL GAUGE	
63	4165.204	ROCKER SWITCH	
64	4033.251	BOARD BUTTON CAP	
71	4111.081	COUPLING	
72	4033.122	PUMP	
73	4161.501	CONN. STRAIGHT 1/8"	
74	4033.198	ELBOW 1/8"	
75	4033.186	OIL SUPPLY PIPE	
76	4033.087	PUMP POWER CORD	
77	4033.246	PHOTOCELL	
80	4033.059	BURNER FLANGE	
81	4111.143	NOZZLE	
82	4033.071	TURBO DISC	
83	4032.454	M6 NUT	
84	4032.453	AIR REGULATION FLAP	
86	4031.047	LIMIT THERMOSTAT	
87	4111.826	ELECTRODE	

RECOMMENDED SPARE PARTS

POS.	Code NR	Description	Rev. D - May 2013
5	4032.370	MOTOR	
41	4111.116	OR KIT FILTER	
38	4031.494	FILTER CARTIDGE	
52	4111.040	FUSE	
59	4162.467	THERMOSTAT CAP	
49	4033.250	CONTROL BOX	
51	4031.514	RELAY	
45	4110.490	HT CABLE	
71	4111.081	COUPLING	
72	4033.122	PUMP	
76	4033.087	POWER CORD PUMP	
77	4033.246	PHOTOCELL	
81	4111.143	NOZZLE	
86	4031.047	LIMIT THERMOSTAT	
87	4111.826	ELECTRODE	

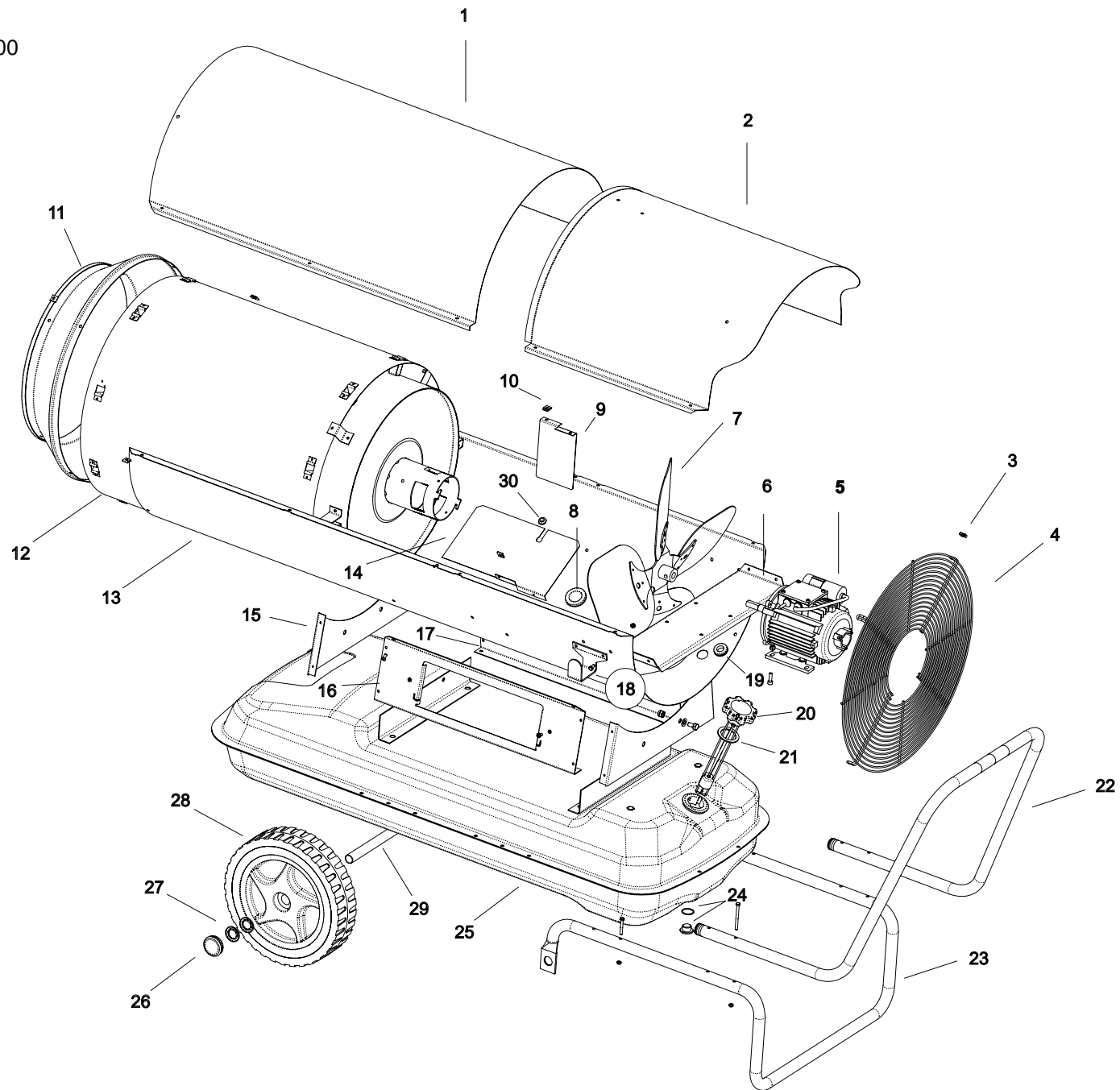
MODEL B360 E

UNIT 1

ILLUSTRATED PARTS BREAKDOWN

From Serial Number: 32200522
Until Serial Number: 09833000500

Rev.C - May 2012



MODEL B360 E

UNIT 3

PARTS LIST

POS.	Code NR	Description	Rev. C - May 2012
1	4111.604	UPPER BODY	
2	4032.458	UPPER BODY MOBILE	
3	4111.241	ELASTIC PLATE Ø 4,2	
4	4032.465	INLET GRILL	
5	4032.370	MOTOR 4PW 230V/50 IP44	
6	4032.463	MOTOR FLANGE SUPPORT	
7	4033.019	FAN	
8	4111.056	PROTECTION CABLE	
9	4032.518	CENTRAL AIR FLAP	
10	4104.170	CLIP NUT	
11	4032.452	OUTLET CONE	
12	4033.197	COMBUSTION CHAMBER	
13	4032.460	LOWER BODY	
14	4111.610	AIR FLAP	
15	4032.470	BASE	
16	4032.466	ELECTR. COMPONENTS DRAWER PANEL	
17	4032.468	SIDE PANEL	
18	4032.536	POWER CORD HOOK	
19	4160.646	PROTECTION CABLE	
20	4032.475	FUEL LEVEL PROBE	
21	4032.537	FUEL LEVEL PROBE GASKET	
22	4032.480	HANDLE FRAME	
23	4032.476	FOOT FRAME	
24	4100.632	DRAIG PLUG	
25	4033.092	FUEL TANK	
26	4111.480	WHEEL PLUG	
27	4111.072	WHEEL PLUG Ø 20	
28	4110.978	WHEEL	
29	4032.478	AXLE	
30	4101.151	PROTECTION CABLE	
32	4031.068	CONN. STRAIGHT 1/4"	
33	4031.062	FUEL PIPE PUMP-TANK	
34	4031.067	PIPE CONNECTION 1/4"	
35	4031.063	FUEL PIPE TANK-FILTER	
39	4032.437	FILTER SUPPORT	
40	4033.090	FILTER WITH CARTIDGE 3/8"	
41	4031.494	FILTER CARTIDGE	
42	4031.064	DOUBLE SCREW	
45	4031.061	FUEL PIPE FILTER-PUMP	
46	4111.116	OR KIT FILTER	
47	4032.472	NECK PLASTIC FILLER	
50	4032.446	ELECTR. COMPONENTS DRAWER PANEL	
51	4117.058	PILOT LAMP	
52	4111.040	FUSE (6,3X32) 10 A	
53	4111.038	CABLE FASTENER	
54	4111.153	POWER CORD	
55	4162.467	THERMOSTAT PLUG	
56	4111.119	PLATE PLUG	
57	4160.637	SWITCH 16A	
58	4110.968	CONTROL BOX SATRONIC	
59	4032.448	ELECTR. COMPONENTS BASE	
60	4032.499	CONTROL BOX SUPPORT	
61	4110.969	CONTROL BOX BASE	
62	4110.967	PG PLATE	
63	4110.155	EDGE LINER	
64	4111.033	TERMINAL BOARD	

ESP00142

MODEL B360 E

UNIT 4

PARTS LIST

POS.	Code NR	Description	Rev. C - May 2012
65	4160.639	POP RIVET WITH TERMIN. 4 WAY	
66	4032.450	PLASTIC PIN	
67	4111.032	RELAY FINDER	
68	4111.890	KIT TRANSFORMER	
69	4110.490	H.T. CABLE	
70	4160.421	M4 SCREW	
71	4111.081	COUPLING SIMEL	
72	4033.122	PUMP DANFOSS	
73	4161.501	NUT FOR BICONE 1/8	
74	4033.198	CONNECTION 90° 1/8	
75	4033.186	OIL SUPPLY PIPE	
76	4033.087	POWER CORD PUMP	
77	4110.970	PHOTOCELL CONN. CABLE	
78	4110.966	PHOTOCELL	
79	4111.076	PHOTOCELL BLOCK BRACKET	
80	4033.059	BURNER FLANGE	
81	4111.143	NOZZLE 2,00 GPH 80°H	
82	4033.071	TURBO DISC	
83	4032.454	M6 NUT	
84	4032.453	AIR REGULATION FLAP	
85	4031.045	FAN THERMOSTAT	
86	4031.047	LIMIT THERMOSTAT	
87	4111.826	ELECTRODE	

RECOMMENDED SPARE PARTS

POS.	Code NR	Description	Rev. C - May 2012
5	4032.370	MOTOR 4PW 230V/50 IP44	
46	4111.116	OR KIT FILTER	
41	4031.494	FILTER CARTIDGE	
52	4111.040	FUSE (6,3X32) 10 A	
55	4162.467	THERMOSTAT PLUG	
56	4111.119	PLATE PLUG	
58	4110.968	CONTROL BOX SATRONIC	
67	4111.032	RELAY FINDER	
68	4111.890	KIT TRANSFORMER	
69	4110.490	H.T. CABLE	
71	4111.081	COUPLING SIMEL	
72	4033.122	PUMP DANFOSS	
76	4033.087	POWER CORD PUMP	
77	4110.970	PHOTOCELL CONN. CABLE	
78	4110.966	PHOTOCELL	
81	4111.143	NOZZLE 2,00 GPH 80°H	
85	4031.045	FAN THERMOSTAT	
87	4111.826	ELECTRODE	
86	4031.047	LIMIT THERMOSTAT	

MODEL B360 E

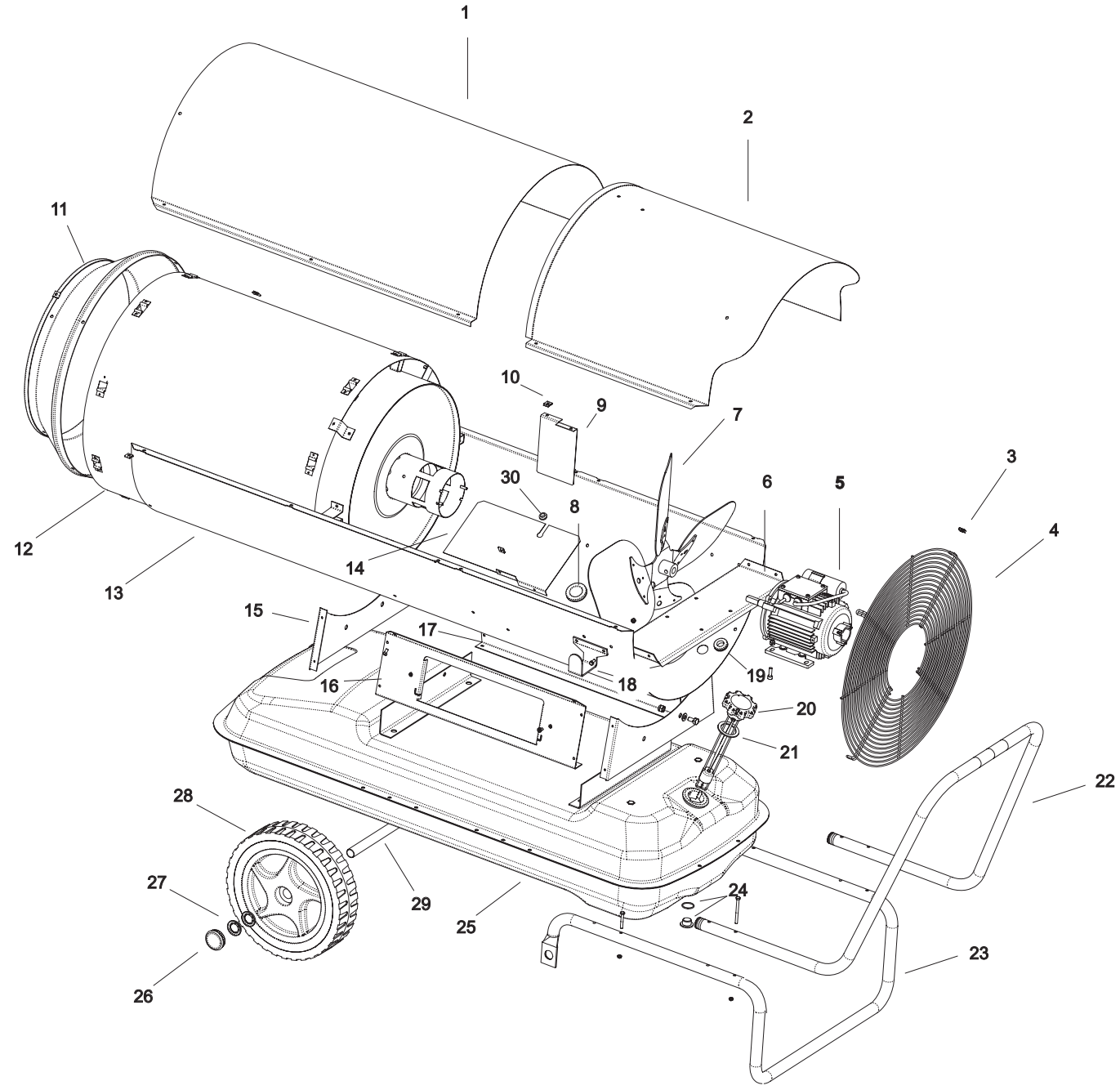
UNIT 1

ILLUSTRATED PARTS BREAKDOWN

From Serial Number: 31200285

Rev. B - May 2011

Untill Serial Number: 32200522



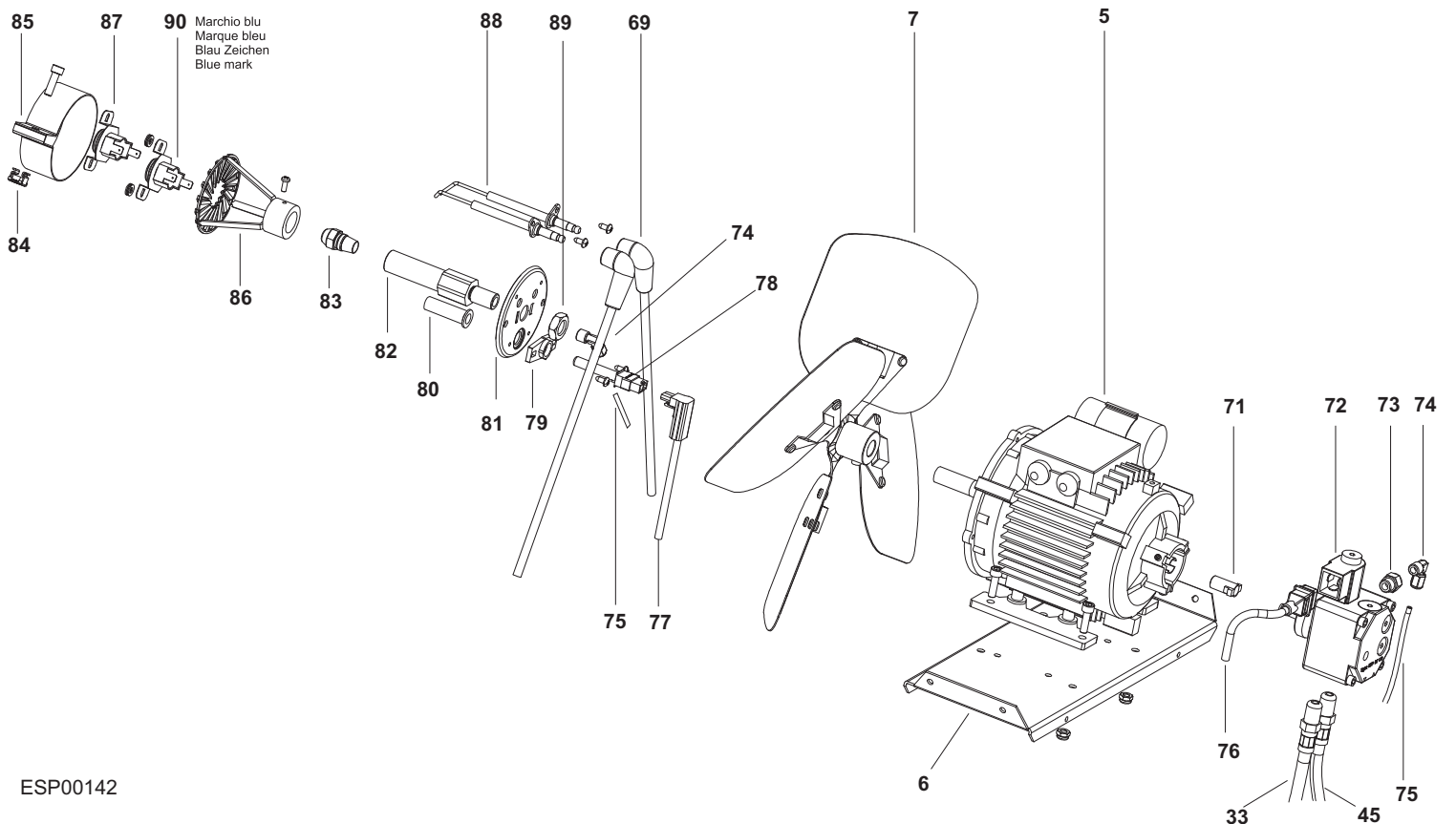
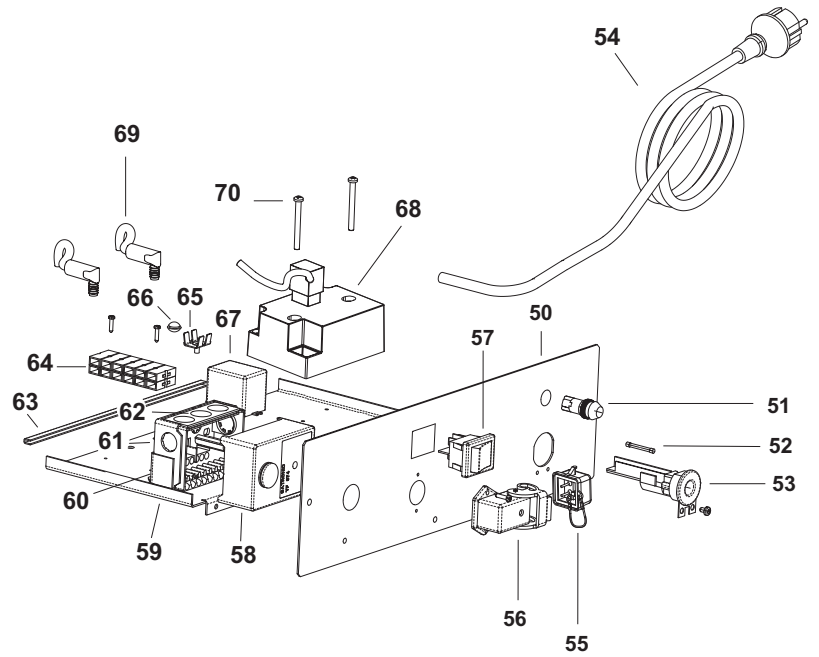
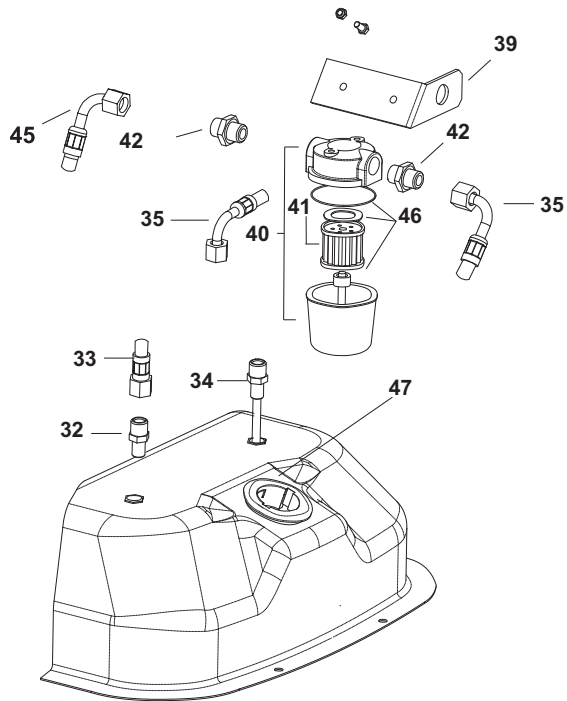
MODEL B360 E

UNIT 2

ILLUSTRATED PARTS BREAKDOWN

From Serial Number: 31200285
Untill Serial Number: 32200522

Rev. B - May 2011



MODEL B360 E

UNIT 3

PARTS LIST

POS.	Code NR	Description	Rev. B - May 2011
1	4111.604	UPPER BODY	
2	4032.458	UPPER BODY MOBILE	
3	4111.241	ELASTIC PLATE Ø 4,2	
4	4032.465	INLET GRILL	
5	4032.370	MOTOR 4PW 230V/50 IP44	
6	4032.463	MOTOR FLANGE SUPPORT	
7	4033.019	FAN	
8	4111.056	PROTECTION CABLE	
9	4032.518	CENTRAL AIR FLAP	
10	4104.170	CLIP NUT	
11	4032.452	OUTLET CONE	
12	4111.638	COMBUSTION CHAMBER	
13	4032.460	LOWER BODY	
14	4111.610	AIR FLAP	
15	4032.470	BASE	
16	4032.466	ELECTR. COMPONENTS DRAWER PANEL	
17	4032.468	SIDE PANEL	
18	4032.536	POWER CORD HOOK	
19	4160.646	PROTECTION CABLE	
20	4032.475	FUEL LEVEL PROBE	
21	4032.537	FUEL LEVEL PROBE GASKET	
22	4032.480	HANDLE FRAME	
23	4032.476	FOOT FRAME	
24	4100.632	DRAIG PLUG	
25	4033.092	FUEL TANK	
26	4111.480	WHEEL PLUG	
27	4111.072	WHEEL PLUG Ø 20	
28	4110.978	WHEEL	
29	4032.478	AXLE	
30	4101.151	PROTECTION CABLE	
32	4031.068	CONN. STRAIGHT 1/4"	
33	4031.062	FUEL PIPE PUMP-TANK	
34	4031.067	PIPE CONNECTION 1/4"	
35	4031.063	FUEL PIPE TANK-FILTER	
39	4032.437	FILTER SUPPORT	
40	4033.090	FILTER WITH CARTIDGE 3/8"	
41	4031.494	FILTER CARTIDGE	
42	4031.064	DOUBLE SCREW	
45	4031.061	FUEL PIPE FILTER-PUMP	
46	4111.116	OR KIT FILTER	
47	4032.472	NECK PLASTIC FILLER	
50	4032.446	ELECTR. COMPONENTS DRAWER PANEL	
51	4117.058	PILOT LAMP	
52	4111.040	FUSE (6,3X32) 10 A	
53	4111.038	CABLE FASTENER	
54	4111.153	POWER CORD	
55	4162.467	THERMOSTAT PLUG	
56	4111.119	PLATE PLUG	
57	4160.637	SWITCH 16A	
58	4110.968	CONTROL BOX SATRONIC	
59	4032.448	ELECTR. COMPONENTS BASE	
60	4032.499	CONTROL BOX SUPPORT	
61	4110.969	CONTROL BOX BASE	
62	4110.967	PG PLATE	
63	4110.155	EDGE LINER	
64	4111.033	TERMINAL BOARD	

ESP00142

MODEL B360 E

UNIT 4

PARTS LIST

POS.	Code NR	Description	Rev. B - May 2011
65	4160.639	POP RIVET WITH TERMIN. 4 WAY	
66	4032.450	PLASTIC PIN	
67	4111.032	RELAY FINDER	
68	4111.890	KIT TRANSFORMER	
69	4110.490	H.T. CABLE	
70	4160.421	M4 SCREW	
71	4111.081	COUPLING SIMEL	
72	4033.122	PUMP DANFOSS	
73	4161.501	NUT FOR BICONE 1/8	
74	4161.140	CONNECTION 90° 1/8	
75	4032.433	OIL SUPPLY PIPE	
76	4033.087	POWER CORD PUMP	
77	4110.970	PHOTOCELL CONN. CABLE	
78	4110.966	PHOTOCELL	
79	4111.076	PHOTOCELL BLOCK BRACKET	
80	4032.406	PHOTOCELL SUPPORT	
81	4032.405	BURNER FLANGE	
82	4032.403	NOZZLE SUPPORT	
83	4111.143	NOZZLE 2,00 GPH 80°H	
84	4032.454	M6 NUT	
85	4032.453	AIR REGULATION FLAP	
86	4033.071	TURBO DISC	
87	4031.045	FAN THERMOSTAT	
88	4033.057	ELECTRODE	
89	4032.407	NUT M14	
90	4031.047	LIMIT THERMOSTAT	

RECOMMENDED SPARE PARTS

POS.	Code NR	Description	Rev. B - May 2011
5	4032.370	MOTOR 4PW 230V/50 IP44	
46	4111.116	OR KIT FILTER	
41	4031.494	FILTER CARTIDGE	
52	4111.040	FUSE (6,3X32) 10 A	
55	4162.467	THERMOSTAT PLUG	
56	4111.119	PLATE PLUG	
58	4110.968	CONTROL BOX SATRONIC	
67	4111.032	RELAY FINDER	
68	4111.890	KIT TRANSFORMER	
69	4110.490	H.T. CABLE	
71	4111.081	COUPLING SIMEL	
72	4033.122	PUMP DANFOSS	
76	4033.087	POWER CORD PUMP	
77	4110.970	PHOTOCELL CONN. CABLE	
78	4110.966	PHOTOCELL	
83	4111.143	NOZZLE 2,00 GPH 80°H	
87	4031.045	FAN THERMOSTAT	
88	4033.057	ELECTRODE	
90	4031.047	LIMIT THERMOSTAT	

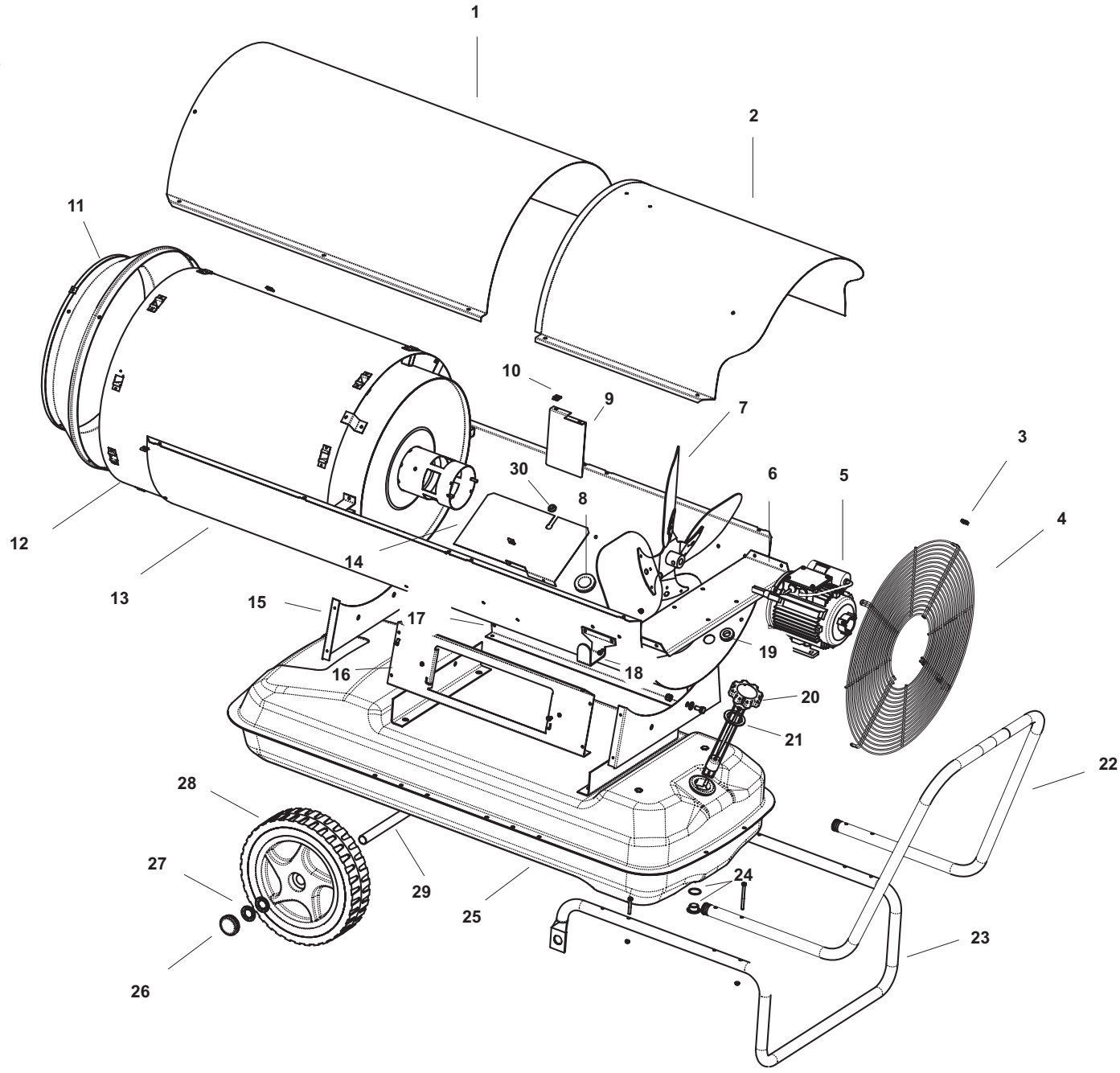
MODEL B360 E

UNIT 1

ILLUSTRATED PARTS BREAKDOWN

From Serial Number: 30200001
Untill Serial Number: 31200284

Edizione 2010
Rev. A



MODEL B360 E

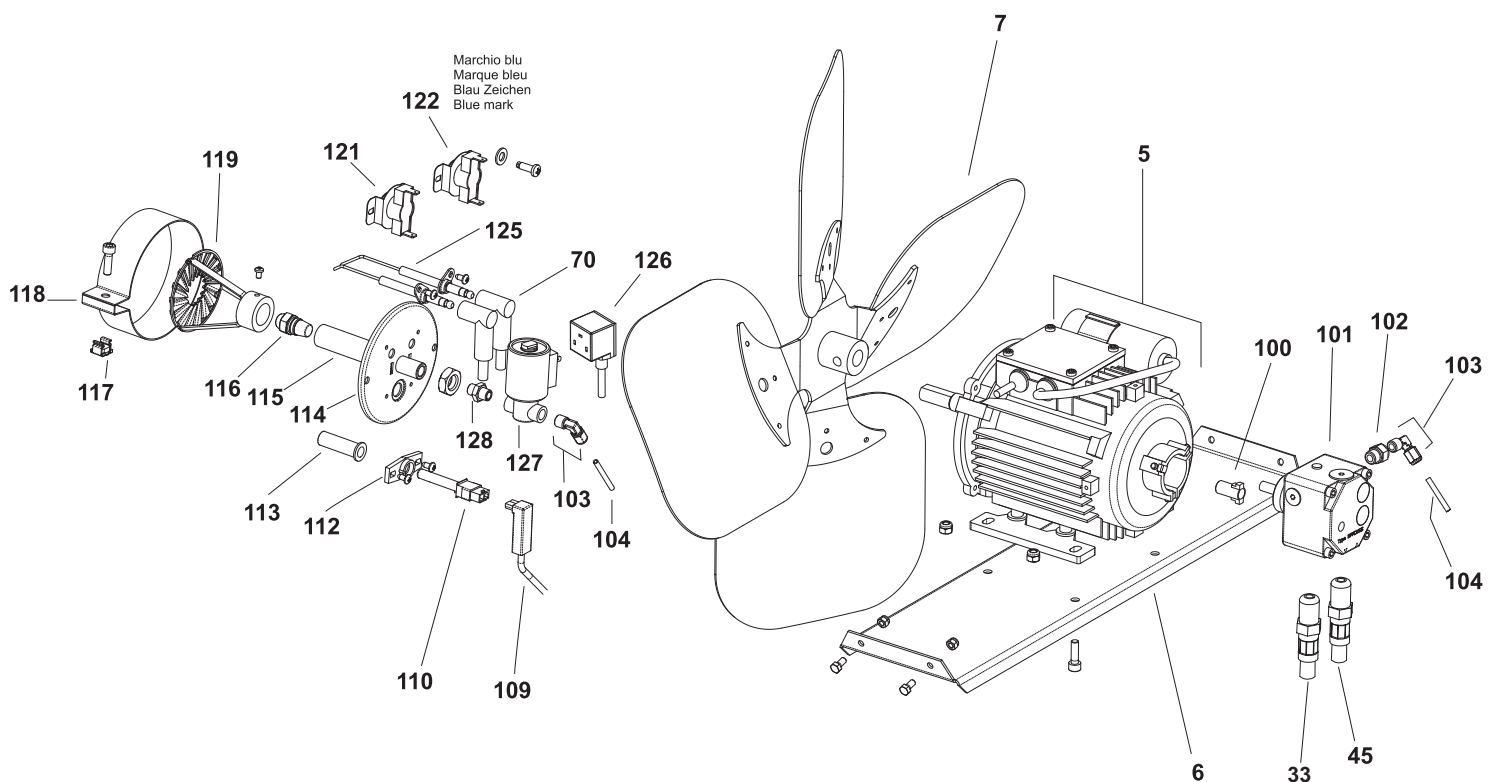
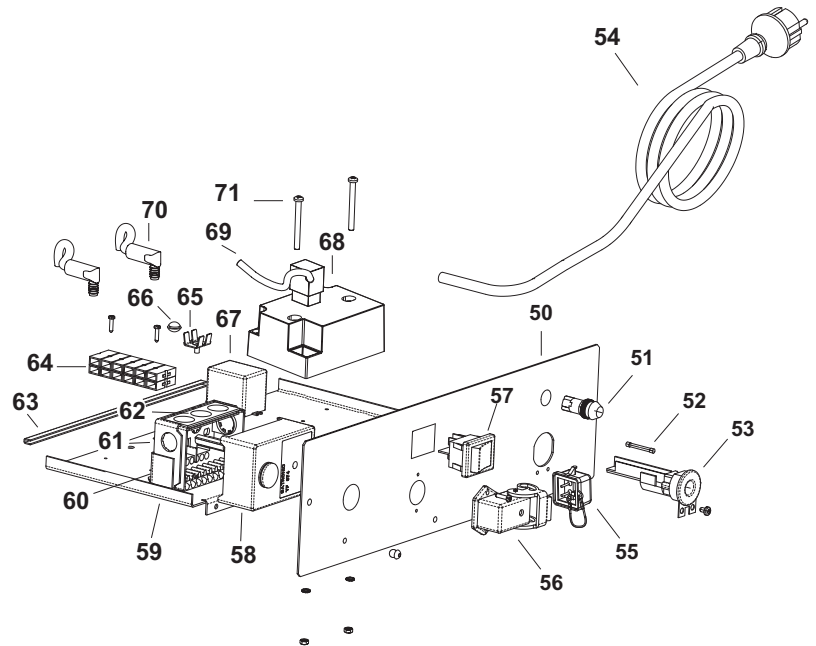
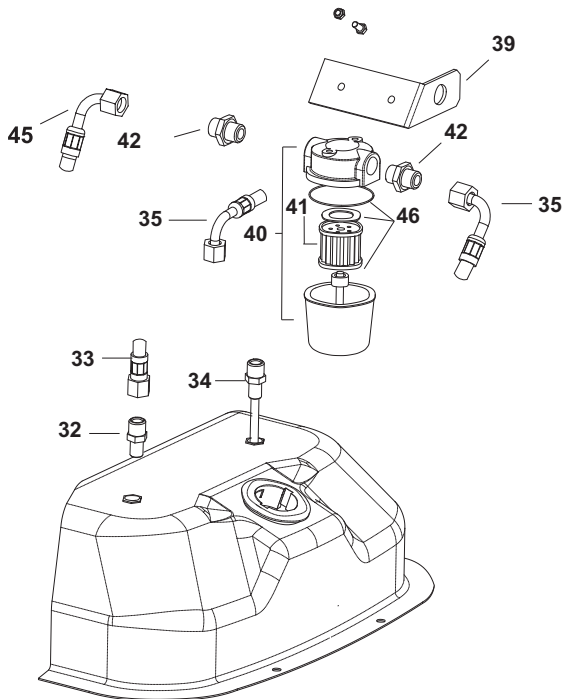
UNIT 2

ILLUSTRATED PARTS BREAKDOWN

From Serial Number: 30200001

Untill Serial Number: 31200284

Edizione 2010
Rev. A



OIL HEATER B360 E

POS.	Code NR	Description
1	4111.604	UPPER BODY
2	4032.458	UPPER BODY MOBILE
3	4111.241	ELASTIC PLATE Ø 4,2
4	4032.465	INLET GRILL
5	4032.370	MOTOR 4PW 230V/50 IP44
6	4032.463	MOTOR FLANGE SUPPORT
7	4033.019	FAN
8	4111.056	PROTECTION CABLE
9	4032.518	CENTRAL AIR FLAP
10	4104.170	CLIP NUT
11	4032.452	OUTLET CONE
12	4111.638	COMBUSTION CHAMBER
13	4032.460	LOWER BODY
14	4111.610	AIR FLAP
15	4032.470	BASE
16	4032.466	ELECTR. COMPONENTS DRAWER PANEL
17	4032.468	SIDE PANEL
18	4032.536	POWER CORD HOOK
19	4160.646	PROTECTION CABLE
20	4032.475	FUEL LEVEL PROBE
21	4032.537	FUEL LEVEL PROBE GASKET
22	4032.480	HANDLE FRAME
23	4032.476	FOOT FRAME
24	4100.632	DRAIG PLUG
25	4032.439	FUEL TANK
26	4111.480	WHEEL PLUG
27	4111.072	WHEEL PLUG Ø 20
28	4110.978	WHEEL
29	4032.478	AXLE
30	4101.151	PROTECTION CABLE
32	4031.068	CONN. STRAIGHT 1/4"
33	4031.062	FUEL PIPE PUMP-TANK
34	4031.067	PIPE CONNECTION 1/4"
35	4031.063	FUEL PIPE TANK-FILTER
39	4111.045	FILTER SUPPORT
40	4031.070	FILTER WITH CARTIDGE 3/8"
41	4031.015	FILTER CARTIDGE
42	4031.064	DOUBLE SCREW
45	4031.061	FUEL PIPE FILTER-PUMP
46	4111.116	OR KIT FILTER
50	4032.466	ELECTR. COMPONENTS DRAWER PANEL
51	4117.058	PILOT LAMP
52	4111.040	FUSE (6,3X32) 10 A
53	4111.038	CABLE FASTENER

54	4111.153	POWER CORD
55	4162.467	THERMOSTAT PLUG
56	4111.119	PLATE PLUG
57	4160.637	SWITCH 16A
58	4110.968	CONTROL BOX SATRONIC
59	4032.448	ELECTR. COMPONENTS BASE
60	4032.499	CONTROL BOX SUPPORT
61	4110.969	CONTROL BOX BASE
62	4110.967	PG PLATE
63	4110.155	EDGE LINER
64	4111.033	TERMINAL BOARD
65	4160.639	POP RIVET WITH TERMIN. 4 WAY
66	4032.450	PLASTIC PIN
67	4111.032	RELAY FINDER
68	4031.541	TRANSFORMER
69	4110.491	TRANSFORMER POWER CORD
70	4110.490	H.T. CABLE
71	4160.421	M4 SCREW
100	4111.081	COUPLING SIMEL
101	4031.476	PUMP DANFOSS
102	4161.501	NUT FOR BICONE 1/8
103	4161.140	CONNECTION 90° 1/8
104	4032.433	OIL SUPPLY PIPE
109	4110.970	PHOTOCELL CONN. CABLE
110	4110.966	PHOTOCELL
112	4111.076	PHOTOCELL BLOCK BRACKET
113	4032.406	PHOTOCELL SUPPORT
114	4032.405	BURNER FLANGE
115	4032.403	NOZZLE SUPPORT
116	4111.143	NOZZLE 2,00 GPH 80°H
117	4032.454	M6 NUT
118	4032.453	AIR REGULATION FLAP
119	4032.570	TURBO DISC
121	4031.045	FAN THERMOSTAT
122	4031.047	LIMIT THERMOSTAT
125	4031.426	ELECTRODE
126	4032.110	POWER CORD SOLENOID SPOOL
127	4102.535	SOLENOID SPOOL 230V/50Hz
128	4160.968	CONN. STRAIGHT 1/8"