

BROKK 280

NEW 2016!

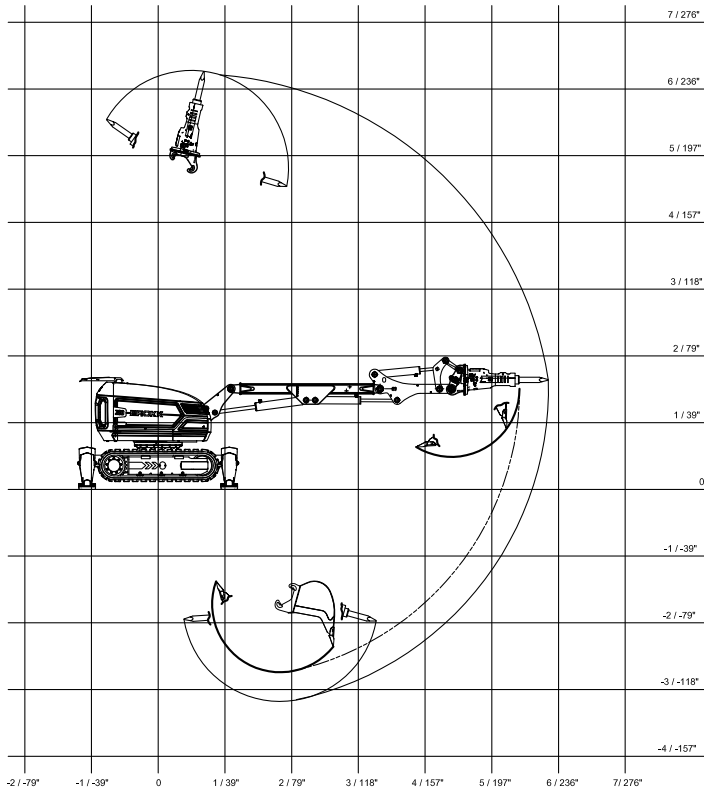


Outperforming All Opponents.

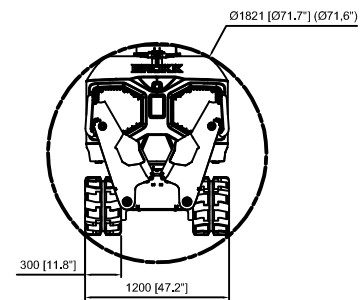
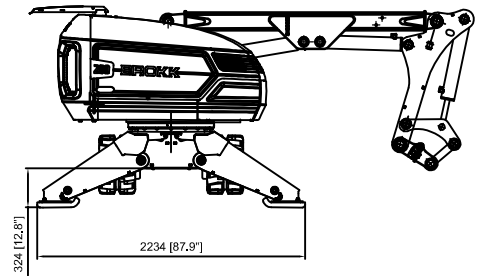
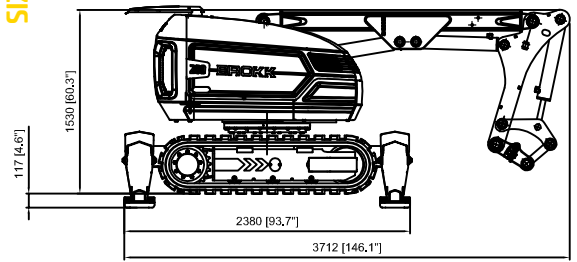
The new **BROKK 280** enters the market of the original Brokk machine size segment. Evolved from the successful Brokk 260, the Brokk 280 just gets better, built to cope with the ever-increasing demands of the demolition industry. With 20% increased breaking performance, a new intelligent electrical system and a more robust design, this model is destined to become a huge success. Like its predecessor, it will outperform much heavier excavators. It's just that the gap has now been increased.

- Outstanding all-around demolition versatility
- 20% more hitting power maximizes the power of SB 302
- New intelligent electrical system
- Outstanding cooling system
- Rugged and robust

RANGE



SIZE



TECHNICAL DATA

Hydraulic breaker in illustrations **SB 302**
 Load and stability diagram can be ordered from Brokk AB

Performance

Slewing speed 18 sec/360°
 Transport speed, max. 2,7 km/h; 0,75 m/s; 1.7 mph
 Incline angle, max. 30°

Hydraulic system

Hydraulic system capacity 90 l; 23.8 US gal
 Pump type Variable load-sensing piston pump
 System pressure to cylinders, attachment and motors, max. 17,0 MPa; 2466 psi
 System pressure, increased to attachment, max 20,0 MPa; 2901 psi
 Pump flow max 50 Hz 100 l/min; 26.5 US gal/min
 60 Hz 120 l/min; 31.7 US gal/min

Electric motor

Type ABB
 Motor rating* 22 kW
 Rated current* 41 A
 Power consumption* 0-27 kW
 Starting device Soft start/Direct start

Control system

Control type Portable control box
 Signal code Digital
 Transfer Cable/Radio

Weight

Weight of basic machine excl attachment & extra equipment 3050 kg; 6724 lbs
 Recommended attachment weight 420 kg; 924 lbs

Noise level

Sound power level L_{wa}, measured according to directive 2000/14/EC 93 dB(A)

*Valid for 400V/50Hz

ACCESSORIES/OPTIONS

Arm System

Impact and heat protection for cylinder C2 and C3

Under carriage

Rubber caterpillar tracks
 Steel caterpillar tracks

Heat resistance

Heat resistant hoses for hydraulic breaker
 Forced draft cooling of machine
 Forced draft cooling of breaker
 Steel pads for kiln demolition or furnace

Other options

Air flushing through breaker to protect from dust
 Water spray through breaker to bind dust
 Counter weight
 Cable reel with 63 m cable
 Brokk cover
 Extra hydraulic function
 Drainage hose
 CAN cable connection for tools

TOOLS

