



**BROKK<sup>®</sup>**

**40 years  
of innovation**

**2016-2017**



2016-2017

## TABLE OF CONTENT

|   |       |                                  |       |
|---|-------|----------------------------------|-------|
| 40 Years of Innovation .....            | 4-5   | Brokk 160 .....                  | 36-37 |
| A Success Story That's Just Begun ..... | 6-7   | Brokk 280 .....                  | 38-39 |
| Unparalleled Technology .....           | 8     | Brokk 400 Diesel .....           | 40-41 |
| Construction .....                      | 10-11 | Brokk 500 .....                  | 42-43 |
| Tunneling .....                         | 12-13 | Brokk 800 Process .....          | 44-45 |
| Mining .....                            | 14-15 | Brokk 800 Standard .....         | 46-47 |
| Metal Processing .....                  | 16-17 | Brokk Ex .....                   | 48    |
| Cement .....                            | 18-19 | Options .....                    | 49    |
| Nuclear .....                           | 20-21 | Original Attachments .....       | 52-57 |
| Rescue .....                            | 22-23 | Training and Brokk Academy ..... | 60-61 |
| Unique Features of Brokk machines ..... | 28-29 | Service and Support.....         | 62-63 |
| Brokk 60 <sup>II</sup> .....            | 30-31 | Contacts World-wide .....        | 64-65 |
| Brokk 110 .....                         | 32-33 | Machine Comparison Chart .....   | 67    |
| Brokk 120D <sup>II</sup> Diesel .....   | 34-35 |                                  |       |

# The Result of 40 Years of Innovation in Demolition.

# 40



When we began our journey, we made a promise to improve the safety and productivity of some of the hardest working people on earth. Four decades later, we've not only kept that promise, but we've also come farther and accomplished more than we ever imagined.

Today, there are 7 000 Brokk machines in more than 100 countries around the world. They're all busy improving the safety, efficiency and profitability of demolition work in a vast array of businesses. We've come this far because of our persistent passion for our work and our customers.

Through our global service and sales network, we learn by meeting our customers face to face. We listen, learn and get inspired to improve our products in new ways.

This hands-on process has helped us build an unparalleled range of machines with a wide range of attachments to meet the needs of nearly every workplace. When it comes to getting the job done, our customers are safer and more successful than ever before.

Today's Brokk machines were inconceivable 40 years ago, and we spend every day imagining and designing machines that will be doing the work of the future. But it's not just about the machine. It's much more. It's about having the right tool on the machine for the job, knowing there is knowledgeable support when needed, and everything else that brings confidence to the job. All that is now taken for granted when having a Brokk machine.

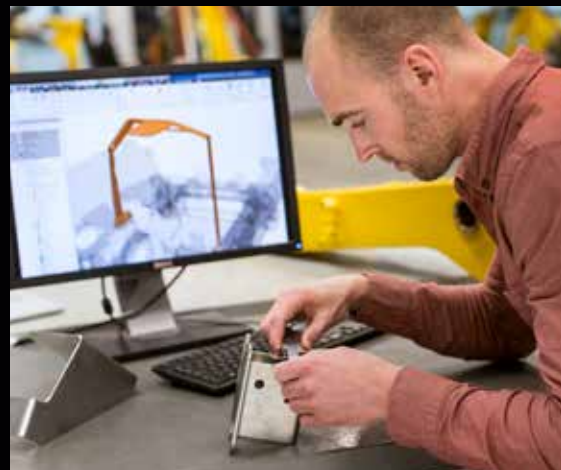
## 40 YEARS OF EVOLUTION



### FOCUS

The business of Brokk is the business of demolition robots. That is 100% of our focus. Period. Our knowledge, expertise and energy are entirely devoted to innovating and improving our demolition machines.

We're constantly seeking out new challenges to push the boundaries for what a Brokk machine can do. The result is a remarkably dependable machine that never gives up or gives in. A machine whose sole focus is making your job easier, safer and more profitable.



# A Success Story That's Just Begun.



Fred R. Conrad / NY Times / TT



## HISTORY

It's 1976. The demolition business has long been struggling with dangerous work environments and inaccessible demolition sites. There is a need for a safer, more productive way of getting the job done in places where hand-held tools are too weak and big machines won't fit. From that challenge, a dream was born of higher efficiency and safer conditions.

Visionaries and engineers from founding companies PE Holmgren and Rivteknik joined forces and started working on a solution. For months they worked to conceive, build and test a device that would change the demolition business forever: the world's first remote controlled demolition machine.

Every year since 1976, Brokk has listened to customers, learned from their work and improved the machines. And what a difference we have made. Our demolition machines have changed the working conditions for thousands of people around the world, and they provided critical service when it was needed most. Brokk machines helped to clear Ground Zero after 9/11. They assisted in containing the nuclear disaster at Fukushima NPP after the devastating tsunami. And every day, they work at thousands of jobsites, keeping people safe while making

# 76

The companies, PE & Rivteknik develop the world's first demolition robot in Skellefteå, Sweden.

# 81

The first mass-produced remote-controlled demolition machine, the Brokk 250, hits the market.

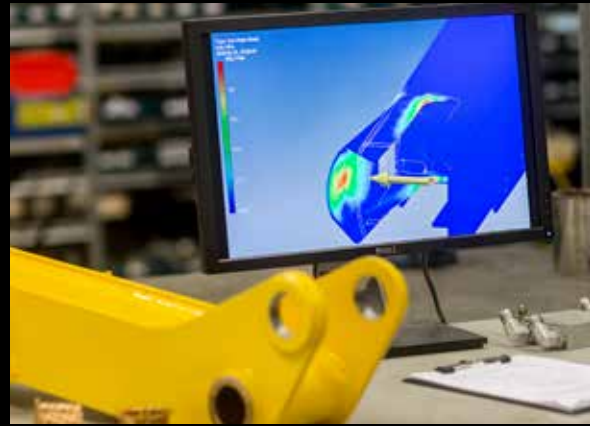
# 94

1 000 Brokk machines delivered.

# 00

First international subsidiaries established in the USA and UK.

# 40 YEARS OF EVOLUTION



them more efficient. Our goal has always been to make a difference and we're doing it, every day.

The Brokk difference begins with getting to know our customers, the environments they operate in and the challenges they face. It's the task of our worldwide sales and service network to listen and learn what businesses, operators and projects require for a safer, more powerful, more effective demolition solution.

## THE FUTURE

Humans have always been explorers. We discover new frontiers, build bridges to connect people and places, and seek new ways to understand our world. Electricity, the automobile, the Internet – they were all created by people who dared to go where no one had gone before. That's the spirit that drove Brokk's founders to imagine and create the first remote-controlled demolition machine. And it's the spirit that continues to drive us as we improve our products and grow our business.

Research and development plays a big role in our quest to constantly improve. By applying new technologies, experimenting and testing new solutions, we discover new possibilities for making better, more durable, more

capable machines. Brokk is forever asking questions. Can we improve the machine operation by changing the human-machine interface? What would it take for the machine to do more of the work by itself? We're on an endless search for answers. It's how we improve.

So this is where we are today - constantly with one foot in the unknown. And that's where our experience makes all the difference. After 40 years of designing, building, testing and improving machines, we've learned what works, what doesn't and how to arrive at the best solution. It's this expertise that makes us an invaluable partner to our customers. Together, we anticipate problems and find innovative answers to meet the challenges that inevitably arise on new projects.

The world is changing faster every day. Demolition projects get bigger and more complex while schedules become more compressed. Brokk is constantly striving to stay one step ahead with state-of-the-art solutions that allow contractors to improve their performance. For 40 years we've been transforming the demolition business, and 40 years from now we'll still be transforming it.

# 06

Brokk acquires Darda in Germany, the world's leading manufacturer of compact crusher attachments and other tools.

# 12

Brokk acquires Ahlberg Cameras, the world's leading supplier of camera equipment for the nuclear industry.

# 14

Brokk's owner, Lifco, is listed on the stock market.

# 16

Brokk celebrates 40 years of relentless innovation -- and it's just the beginning.

# Unparalleled Technology. For Safe and Efficient Work.



Brokk machines are specifically designed for high performance demolition. Whether the work environment is construction, metal processing, nuclear or underground, the compact profile allows access to places too small, too difficult or too dangerous for people or traditional machinery.

Once in position, a Brokk machine wields the power to outperform excavators up to five times its size, making the process significantly more efficient than traditional methods. The safe, ergonomic remote control removes the operator from the risks of the site, eliminates harmful vibrations and allows the operator a better view of the work. With a powerful electric motor, fumes are eliminated, making Brokk machines ideal for both indoor and outdoor jobs.

These qualities combine to put Brokk machines in a league of their own when compared to traditional demolition methods. But there's one more feature that makes these small giants so unique: unparalleled reliability. We know that every stop, every breakdown and every delay means time and money lost, so every part, detail and function is engineered to take the pounding of hard work and keep on delivering – day after day, year after year and job after job.

When you choose a Brokk, you choose much more than a machine. You choose the original demolition robot, and you choose to work with the people who've spent 40 years designing, building, servicing and perfecting over 7 000 demolition robots. And you choose a partner who brings all that product, application and industry knowledge to your job site when you need it the most.



## WHY CHOOSE BROKK?

# 1

**40 years of experience** in designing and manufacturing demolition robots.

# 2

**Focus:** Brokk is demolition robots. Since inventing the first machine, we've been the leader in robotic demolition technology.

# 3

**A full range of machines** and attachments means you get precisely the right tool for the job.

# 4

**Solution provider.** We don't sell a product, we deliver a solution. We know the applications for Brokk machines and understand your needs.

# 5

**After Sales.** We provide a global service network with local presence and experienced and knowledgeable staff.



## APPLICATIONS

The following pages reveal the wide range of Brokk applications, from precision maintenance work to demanding power demolition. Each case illustrates how a Brokk machine brings power, safety and flexibility to almost any space.

**CONSTRUCTION >**  
**TUNNELING >**  
**MINING >**  
**METAL PROCESSING >**  
**CEMENT >**  
**NUCLEAR >**  
**RESCUE >**

# CONSTRUCTION

**Fast and Agile.  
Safe and  
Ergonomic.  
Brokk Gives You  
More Power in a  
Smaller Package.**



Construction demolition involves a wide range of jobs, from bathroom renovation to tearing down thick, reinforced concrete walls. The Brokk machine easily outperforms traditional demolition methods like concrete sawing, handheld tools and excavators. Not only due to the raw demolition power of the Brokk, but also because the compact size provides easy access to the core of the worksite. Once in place, the Brokk robot can finish the job in a fraction of the time of other methods.

Brokk machines are specially designed for confined spaces. The three-part arm system provides extraordinary flexibility and reach, and can be equipped with a variety of powerful attachments. When equipped with a crusher, the quiet, electric-powered hydraulics allow you to work during business hours or in areas with noise restrictions. What's more, there are no exhaust fumes and less dust and vibration than with traditional methods. Cutting and coring usually requires water which needs to be disposed. With the Brokk method, this is not a problem.

Due to the fact the Brokk is so light and agile, it works in places where most other machines won't fit. The Brokk will easily climb over debris or up a staircase. Or if you don't like walking up stairs, you can take the compact and light-weight Brokk machine floor-to-floor in an elevator.



**Brokk 400** with concrete crusher CC700 demolishing reinforced concrete.



**Brokk 260** and SB302 in Poland.



**Brokk applications** at a construction site. Everything is possible.

**Demolishing ceiling** with Brokk 90 and CC320, Norway.



**Brokk 160 and Brokk 100** working at a large construction site in Stockholm, Sweden.



**Brokk 100** with TE-160-100, construction basement.



**Brokk 60<sup>u</sup>** with CC260 demolishing reinforced concrete pillar.

**Concrete crushing** with Brokk 100 and CC320 in Johannesburg, South Africa.

## REASONS TO CHOOSE BROKK IN THE CONSTRUCTION INDUSTRY

- FASTER AND CHEAPER THAN JACKHAMMERS AND CUTTING & CORING
- MORE POWERFUL AND FLEXIBLE THAN EXCAVATORS
- SAFE REMOTE CONTROLLED DEMOLITION
- ENABLES SILENT DEMOLITION
- MANY DIFFERENT TOOLS MEANS THE BROKK WILL ALWAYS FIND JOBS

## The Preferred Tunneling Tool from Ground Zero, via the Swiss Alps to Down Under.



Tunneling applications present a wide range of opportunities for the high power and compact profile of a Brokk machine. Brokk robots are the ideal work method for utility tunnels, such as cable and water tunnels, and for tunnel enlargements. And in larger tunnels, Brokk machines are the preferred tool for cross passages, substations, safety niches, lining renovation. That's why you see them on road, rail and subway tunnel projects across the world.

A Brokk machine brings the perfect combination of power and accessibility to areas where space limitations make it impossible or impractical to use a larger machine. Remote-controlled operation, small size and extraordinary flexibility and reach provide incredible access and capability in confined spaces without sacrificing power.

The ability to use heavy duty attachments that normally are recommended for much heavier excavators makes the Brokk perfect for the tunneling industry. For example, a Brokk 400 (weighing just 5 tons) with a half-ton breaker gives you an unparalleled size-to-power ratio, outperforming excavators up to five times as big. And if that still isn't enough, there is always the Brokk 800 with its 1,2 tons breaker to do the job.

With a wide range of attachments, the Brokk machine easily handles a full range of tasks such as drilling, rock breaking, excavating, scaling, rock splitting, removal of debris, and even shot-creting. The Brokk robot is really one machine for all tasks, which will save on both machine investment costs and set up times at the work site. Whether the job is below the sea, on the ground or at thousands of feet in altitude, a Brokk delivers where other machines cannot.



**Brokk 800** with MB 1200 working with safety niches in Italy.



**Excavating safety niches.**  
Brokk 330 with concrete cutter in Paris, France.



**Enlarging existing tunnel**  
in Stockholm City. Brokk 260 with SB302.

**Brokk 400** with SB552 developing cross passages on the Sydney Metro Northwest project in Australia.

**Brokk 800** with MB 1200 working in the metro of Hong Kong.

**Brokk 800** with MB 1200 developing safety niches in Switzerland.

**Brokk 400** with TE-260-180.

**Brokk 800** with MB 1200 developing cross passages in Australia.



## REASONS TO CHOOSE BROKK IN THE TUNNELING INDUSTRY

- POWERFUL WHILE EXTREMELY COMPACT FOR TIGHT UNDERGROUND SPACES
- MULTI TOOL CARRIER MEANS MANY JOBS WITH ONE MACHINE
- ELECTRIC POWERED WITH NO FUMES
- REMOTE CONTROLLED FOR SAFE OPERATION
- ROBUST FOR UNDERGROUND WORK

## Power, Increased Safety and a Wide Range of Tools Takes Mining to a New Level.



Below ground, the advantage of a compact machine becomes abundantly clear. And the small Brokk machines provide the same breaking capacity as larger traditional mining machines. In addition, one Brokk machine can perform a variety of tasks, such as scaling, breaking, digging, drilling, secondary breaking, bottom shaft cleaning etc.

Thanks to remote, radio-controlled handling, the operator can overlook the job from a safe, comfortable position with no risk of injury from falling debris. The electric motor provides strong, quiet power with no exhaust fumes or other hazardous pollutants or vibration. Load-balanced outriggers provide excellent machine stability in all working directions while the sturdy track system and well-protected cylinders make the Brokk extremely durable and easy to maintain.

Above ground, the Brokk machine proves its value in the processing of material, when used in the maintenance of kilns, crushers etc. Typical applications include refractory removal and oversize breaking. So above ground or below ground, Brokk is the preferred choice for many mines.



**Brokk 400 with SB 552** working in a shaft.

**Brokk 160** and SB 202 working in a narrow mine in South Africa.

**Brokk 260** with SB302 in a talc mine in Italy.

**Drilling in narrow space.**  
Brokk 90 with BSD-80 hydraulic drill in South Africa.

**Brokk 400 S** working in a platinum mine in South Africa.

**Brokk 800** with drilling attachment working in Sweden.



## REASONS TO CHOOSE BROKK IN THE MINING INDUSTRY

- POWERFUL WHILE EXTREMELY COMPACT FOR TIGHT UNDERGROUND SPACES
- MULTI-TOOL CARRIER MEANS MANY JOBS WITH ONE MACHINE
- ELECTRIC POWERED WITH NO FUMES
- REMOTE CONTROLLED FOR SAFE OPERATION
- ROBUST FOR UNDERGROUND WORK
- IDEAL FOR NARROW MINING

## Controlled Tough Debricking and Slag Removal. True Maintenance Power When the Heat is on.

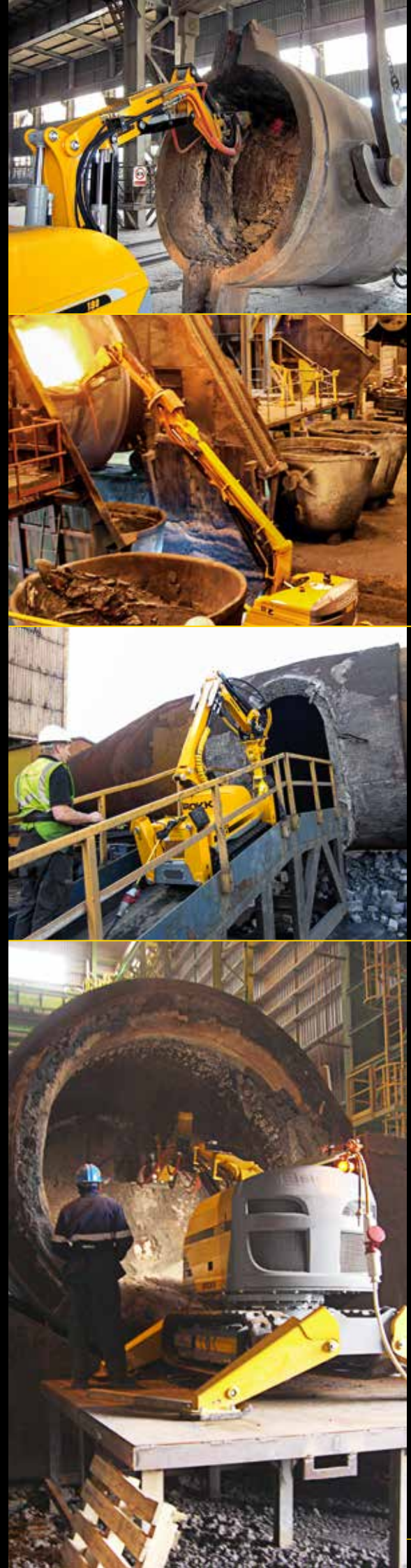


Brokk machines main task in the metal process industry is to reduce the plant shut down time and yet maintain safety for the workers involved. Anywhere there is refractory or slag there is work for Brokk robots. Thanks to the machine's flexible design, it can be used for many applications within one plant.

Whether you need more power or precision for cleaning a ladle, EAF, torpedo car, BF runner, converter mouth, tundish, blast furnace, you can trust Brokk to get the job done. Remote-controlled precision and tough durability make these machines the ideal tool for the high quality demolition work required in the process industry. The precise movements of the machines make it no problem to demolish the work lining without damaging the safety lining for example.

The Brokk machine combines compact design with optimum power to provide easy access and fast, efficient performance. The small size makes it possible to enter areas where no other machine could enter and replace work that otherwise is done manually. The heat resistance options enable you to start the job earlier while minimizing risks for any breakdown. Since the operator controls the Brokk remotely, he can choose a working position that's safe, comfortable and allows for the best possible view of the job.

The strong, three-arm system handles a wide range of powerful tools and allows for exceptional reach and power in all directions. And all this flexibility comes with the Brokk machines proven performance record, ensuring that you can break and remove material without fear of damaging the machine.





**Ladle cleaning.** Brokk 180 with SB 202 in ferroalloy plant.

**Copper converter mouth cleaning** with Brokk 800 and a special designed heat-protected breaker in Sweden.

**Brokk 100 with SB152** working in a torpedo car.

**Brokk 100** easily enters the torpedo car.

Furnace mouth cleaning with **Brokk 160** and SB202.



## REASONS TO CHOOSE BROKK IN THE METAL INDUSTRY

- REDUCE PLANT SHUT DOWN TIME
- EFFICIENT AND SAFE WAY TO REMOVE SLAG AND REFRACTORY
- REMOTE CONTROLLED FOR SAFETY AND OPTIMAL VIEW
- ACCESS TO AREAS NO OTHER MACHINE CAN ENTER
- HEAT RESISTANT
- MULTIPLE APPLICATIONS MEANS MANY USES IN ONE PLANT

Ladle cleaning with **Brokk 260** and a SB302.

## Easy Access, Maximum Efficiency and Operator Safety. Concrete Brokk Advantages.



Demolishing coating and brick linings is a job the Brokk machine was born to do. There's simply no faster or safer method. The compact design makes access easy, while the remote control makes the work safe and quick. The operator can choose the best position for viewing the work, and since he's not bothered by vibrations, fumes or the risk of collapsing material or hot coating, he's much more efficient.

With excellent stability in all directions and easily adjustable breaker frequency, the Brokk ensures precise operation without shell or lining damage. The three-part arm system provides flexibility and reach and allows for less repositioning of the machine compared to conventional excavators.

In an industry where every hour a kiln is down means a loss of profitable production, investing in a Brokk can pay for itself with the very first refractory tear-out. Since the Brokk is heat resistant with well-protected cylinders and components, you can start the job earlier without risking breakdown due to heat. This reduces plant downtime and increases the plant profit.



**BRICKING  
SOLUTIONS**  
A DIVISION OF BROKK

**Brokk 400** with a SB552 tearing out bricks in the Middle East.

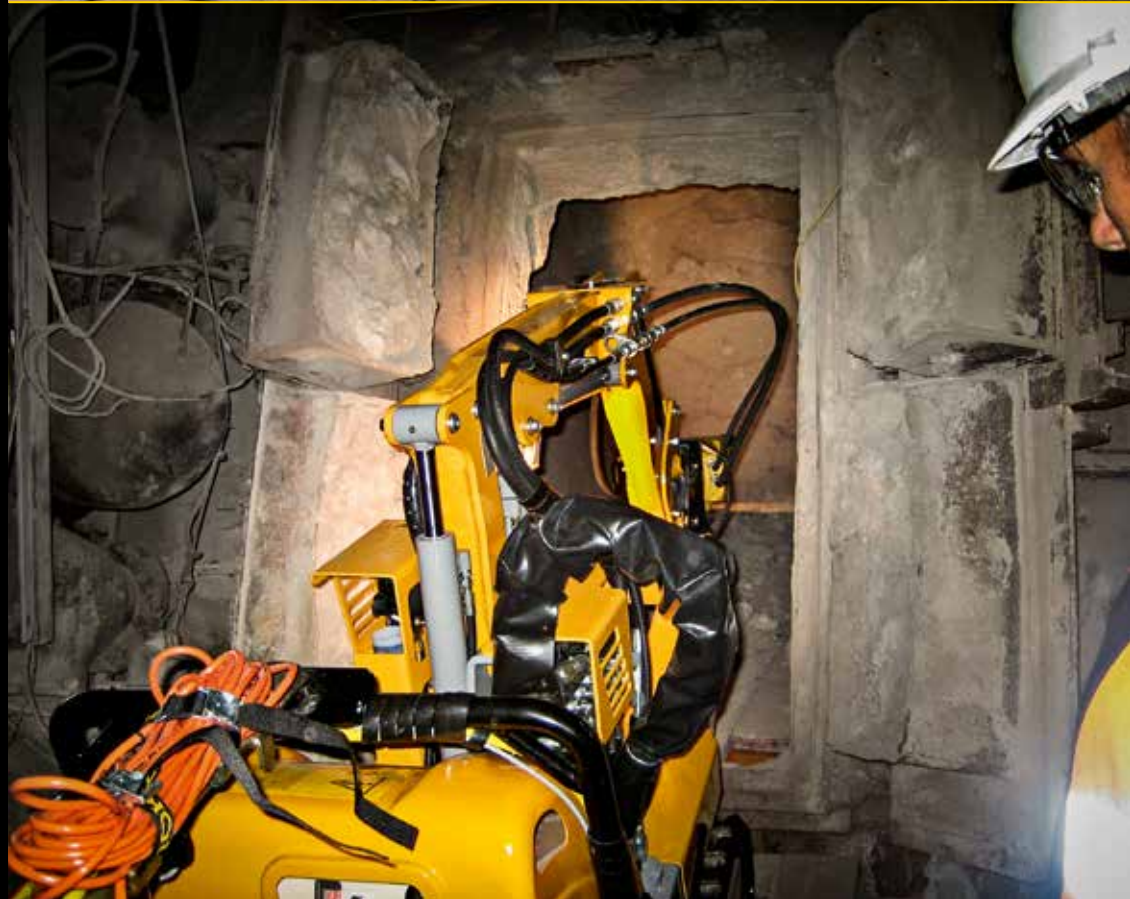
**Brokk 160** with SB 202 tearing down coating in Turkey.

**Breaking out brick lining.** Brokk 330 with SB 300 in Gotland, Sweden.



**Breaking out coating.** Brokk 90 with SB 152.

**Entering** a kiln inlet section with Brokk 50.



#### REASONS TO CHOOSE BROKK IN THE CEMENT INDUSTRY

- REDUCE PLANT SHUT DOWN TIME
- EFFICIENT AND SAFE WAY TO REMOVE COATING AND REFRACTORY
- REMOTE CONTROLLED FOR SAFETY AND OPTIMAL VIEW
- HEAT RESISTANT
- RELIABILITY FOR TOUGH ENVIRONMENTSEMENT

## Extraordinary Power and Reliability for Extraordinary Jobs.



Some projects call for a special solution. At Brokk, we offer a proven combination of design, engineering and service that can tackle almost any undertaking. From consulting to mock-ups; from operator training to maintenance; from start-up to final testing, we leave nothing to chance when it comes to perfecting the performance of our machines. And since the Brokk is built for adaptability, our engineers can customize the machines to meet your specialized needs.

It's hard to think of an environment where remote control is more critical than at a nuclear site and for nuclear decommissioning work. Here, Brokk technology has reached its highest level, enabling camera operation with remote video monitors. Through the partnership with Ahlberg Cameras, Brokk machines can now be equipped with the market's leading radiation tolerant camera systems. In this extraordinary environment, dangerous tasks like demolishing, removing, sorting and containerizing radioactive waste are all in a day's work for a specially equipped Brokk. We have close to 30 years of experience in nuclear projects, and a large number of machines delivered to the nuclear industry in the US, UK, France, Germany, Belgium, Sweden, Japan, China and more.

All Brokk machines come with unique features you won't find in typical demolition tools: remote-controlled handling, heat resistant design, flexible three-arm system with exceptional reach and strength, and an electric motor for powerful, quiet, fumeless operation. And it gets into places where people or other machines can't go. All this comes together with the reliability built into the machines after having 7 000 machines operate in harsh and abusive environments for the last 40 years.



**Demolishing** a hot cell behind acrylic glass. Brokk 330 with SB 450.



**Brokk 330M** with a SC600 steel shear cutting and sorting radioactive waste (after more than 10,000 hours) in USA.

**Brokk 100** with a manipulator arm.

**Brokk 100** with cameras and other accessories.



**Dismantling** nuclear equipment. Brokk 330 with cut off saw.

**Brokk 330M** with a SC600 steel shear cutting and sorting radioactive waste.

## REASONS TO CHOOSE BROKK IN THE NUCLEAR INDUSTRY

- REMOTE CONTROLLED
- POSSIBILITY TO OPERATE VIA CAMERAS
- MULTI TOOL CARRIER
- RADIATION TOLERANT
- CUSTOMIZABLE FOR THE SPECIFIC TASK
- PROVEN RELIABILITY FROM TOUGH ENVIRONMENTS

## Independent, Powerful and Flexible. Reliability Where It's Needed.



Hazardous environments come in many forms - explosive items, gas leaks and large fires are just a few examples. In these situations, the inherent dangers of the location and the work put humans at risk. That's where a Brokk ensures safety and saves lives. A flexible, independent machine (whether electric or diesel) is the perfect solution for firefighting, mine clearance, nuclear applications, explosive ordnance disposal, or the aftermath of an earthquake – in short; any work where safety and reliability are the highest priority.

Unlike typical EOD robots, even the smallest Brokk robot can perform heavy tasks, carry powerful tools and lift heavy items. That's why Brokk machines were brought into Fukushima Daiichi NPP after the accident – real work needed to get done.

Brokk offers reinforced, highly customizable machines to meet the punishing demands and harsh conditions of rescue applications. These machines are built for the most challenging environments. With the right Brokk, unsafe conditions become safe work environments.



**Brokk 330** and a bucket working with an operational field test.

**Fire fighting** with Brokk.

**Brokk 100** with SB 152 in black if you have a need for a discretely appearing machine.

**Brokk 100** with steel shear and camera.

**Brokk 100** with sorting grapple handling hazardous material.

**Brokk 100** with a cut off saw in China.

**Brokk 100**, easy to transport to the rescue area.



## REASONS TO CHOOSE BROKK FOR RESCUE TASKS

- REMOTE-CONTROLLED
- POSSIBILITY TO OPERATE VIA CAMERAS
- PERFORMS HEAVY TASKS AND CARRIES HEAVY ITEMS
- MULTI-PURPOSE MACHINE WITH MANY TOOLS
- PROVEN RELIABILITY FROM TOUGH ENVIRONMENTS
- EXCELLENT MANEUVERABILITY AND MOBILITY







 STOCKHOLM  
8.45AM



PRODUCTS

## The Brokk Credo: Strength is in the Details.

The Brokk robots are built to last. The key quality engineered into every part and every detail is the ability to withstand countless hours of tough work. To guarantee the highest quality and performance, over 80% of the machines' components are custom made specifically for Brokk. It means more time and expense in building the machine, but the results speak for themselves: Brokk robots last over time.

### WIDE RANGE OF TOOLS

A whole range of tools, many specifically designed for Brokk. Patented quick-hitch for fast and easy tool changing.

### THREE-ARM SYSTEM

A strong and flexible solution that allows for extraordinary reach and power in all directions, providing maximum precision and accuracy.

### REMOTE CONTROLLED OPERATION

Maximizes efficiency while keeping the operator safe from harmful vibrations and dangerous areas.

### DEMOLITION POWER

Despite its compact size, Brokk machines can outperform excavators five times as big.

### NO EXHAUST FUMES

Less noise and less maintenance.

### COMPACT AND MANEUVERABLE

Easy to maneuver and easy to transport. Can get access through narrow spaces and climbs stairs.

### OUTRIGGERS FOR STABILITY

When working with heavy tools.

### HEAT RESISTANT

From covers to cylinders and components, everything is heat and impact protected.

### PATENTED QUICK HITCH

Saves weight and enables fast and safe tool changes.



## TECHNICAL ADVANTAGES

# OUR EDGE



### WIDE RANGE OF MACHINE MODELS

A wide range of machine models, with unique characteristics and countless options.

### MAXIMUM OUTPUT – MINIMUM INPUT

Maximum power using minimum energy input. Run on small electrical fuses. Built to optimize tool performance.

### ERGONOMIC FOR OPERATOR

Belt, harness and hand support for control levers for optimal real-life ergonomics.

### HARDENED ELECTRICAL SYSTEM

Designed with special components for tough environments.

### SUPERIOR STABILITY

Track design and load balancing outriggers that maximize stability and safety.

### UNIQUE CONTROL SYSTEM

Superior radio technology with an easy to read display. Proven reliability with up to 300 m reach with no delay.

### RELIABILITY

Built to last in tough and hot conditions, based on 40 years of engineering.

### UNBEATABLE COOLING CAPACITY

Designed for hard work in hot conditions.

### SERVICEABILITY

Everything is designed for quick and easy service, even when at the job site.

### RIGHT CONFIGURATION FOR THE APPLICATION

Wide range of options and accessories for different applications.

**BROKK**

**60<sup>II</sup>**

UPGRADED!

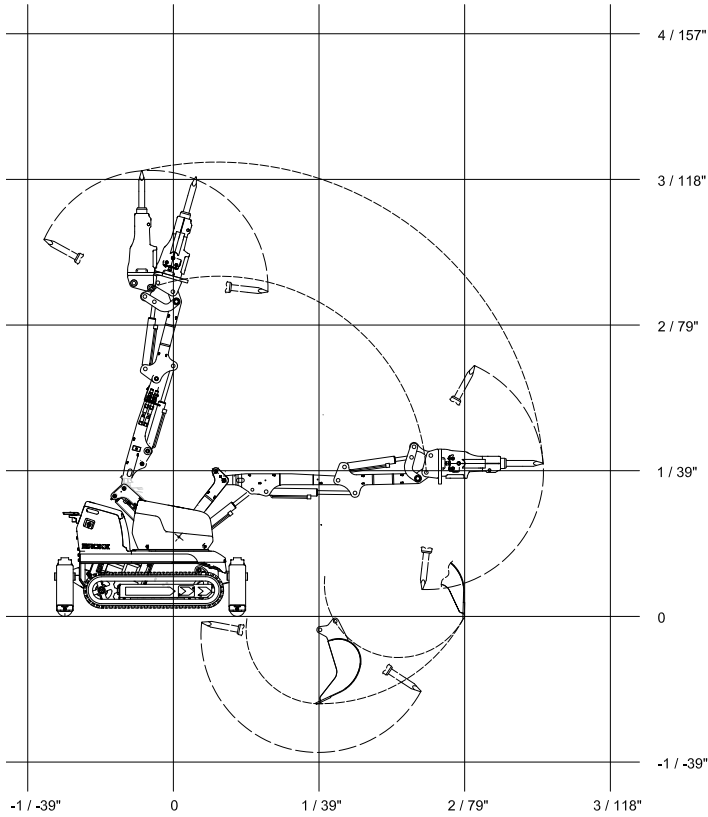


## More Power in Minimal Spaces

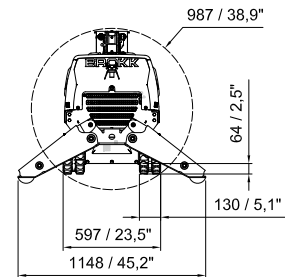
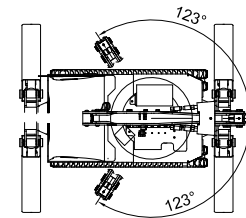
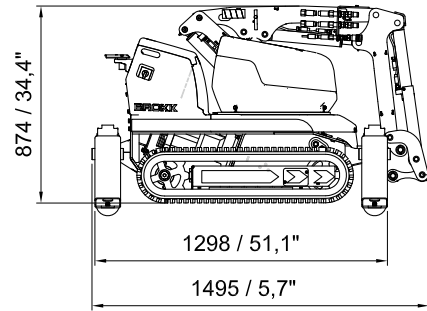
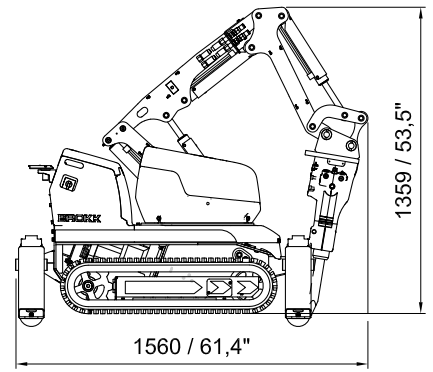
The **BROKK 60<sup>II</sup>** is the perfect solution for safe, effective demolition in very confined spaces. It's combination of small size and lightweight power works wonders in places where it was previously impossible to do mechanized demolition work. Compared to its older brother, the Brokk 50, the 60<sup>II</sup> boosts productivity by 25% with a stronger breaker, faster movement, new control system and smaller profile. The low weight makes it ideal for indoor work on weak floors, and it can be transported in an ordinary passenger elevator.

- The smallest remote-controlled demolition robot in the world
- More efficient than 5-10 people with jackhammers
- Safe and ergonomic for operators
- Operates on just 16 amp electricity
- Access through even the smallest of doorways

**RANGE**



**SIZE**



**TECHNICAL DATA**

Hydraulic breaker in illustrations SB 52  
 Load and stability diagram can be ordered from Brokk AB

**Performance**

Slewing speed 6,5 sec/245°  
 Transport speed, max. 2,5 km/h; 0,7 m/s; 1.6 mph  
 Incline angle, max. 30°

**Hydraulic system**

Hydraulic system capacity 27 l; 7.1 US gal  
 Pump type Gear pump with fixed displacement  
 System pressure 18 MPa; 2,610 psi  
 Pump flow max 50 Hz and 60 Hz 22 l/min; 5.8 US gal/min

**Electric motor**

Type ABB  
 Motor rating\* 5,5 kW  
 Rated current\* 14 A  
 Power consumption\* 0-6 kW  
 Starting device Direct start

**Control system**

Control type Portable control box  
 Signal code Digital  
 Transfer Cable/Radio

**Weight**

Weight of basic machine excl attachment and extra equipment 500 kg; 1 102 lb  
 Recommend attachment weight 80 kg; 175 lb

**Noise level**

Sound power level Lwa, measured according to directive 2000/14/EC 90 dB(A)

\*Valid for 400 V/50 Hz

**ACCESSORIES/OPTIONS**

**Arm System**

Impact and heat protection for cylinder C2 and C3

**Under carriage**

Rubber caterpillar tracks

**Other options**

Brokk cover  
 Extra hydraulic function  
 Forced draft cooling

**TOOLS**



# BROKK

# 110

NEW 2016!



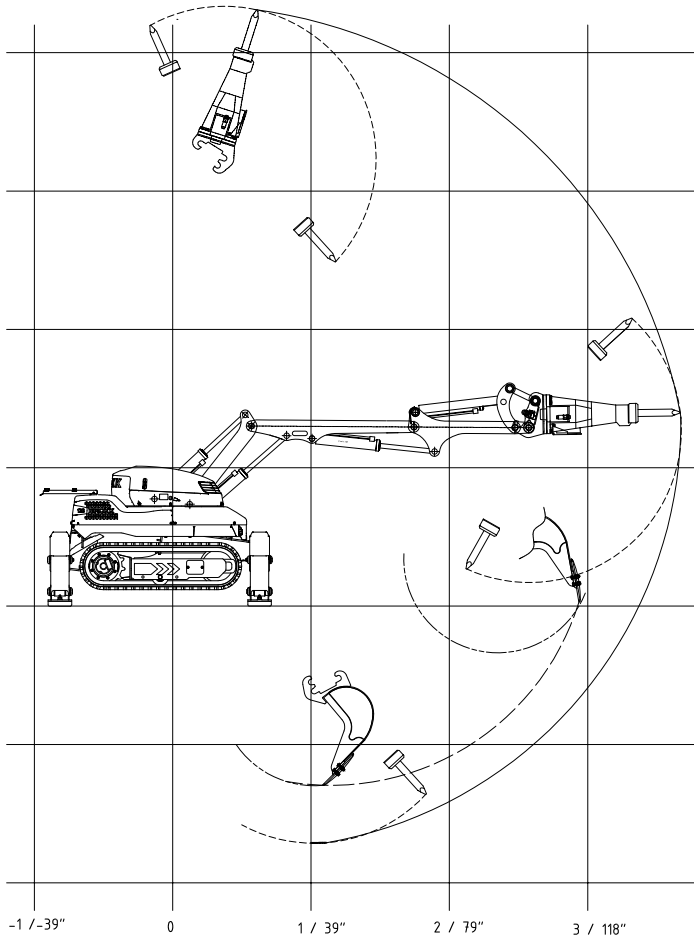
## Stronger, smarter, tougher

**THE BROKK 110** is the new generation of demolition robots. With 15% more power than the Brokk 100 (and a whopping 50% more power than the Brokk 90), the new Brokk SmartPower™ electrical system and a reinforced design, it's built to face almost anything. Just like its predecessor it is extraordinarily versatile in tight spaces, as it keeps the same industry leading compact size. In spite of its reach and power, it folds up into a surprisingly compact package that can climb stairs, fit in an elevator and be carried on a small truck or trailer. It's the perfect solution in a wide variety of residential, commercial and industrial environments. All in all: a demolition robot that's stronger, smarter and tougher.

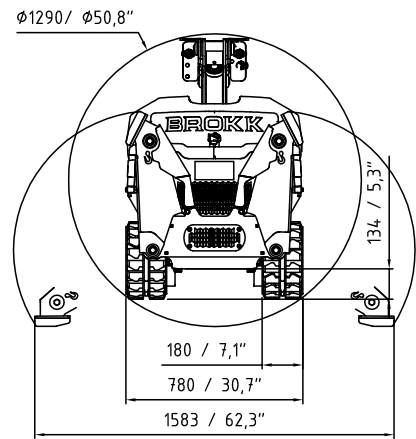
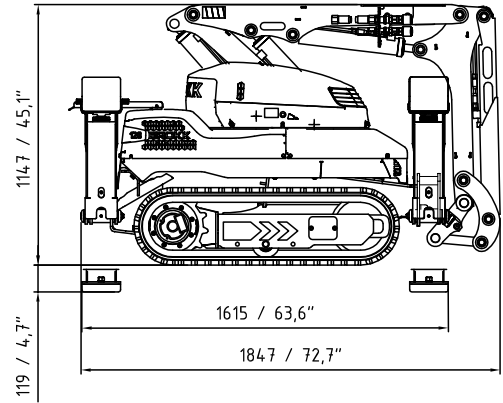
- Most compact and powerful machine of its size
- Brokk SmartPower™, a new intelligent and hardened electrical system
- Operates on both 16 and 32 amp
- Real 360 degrees work radius
- Unbeatable cooling capacity
- Fully covered and protected components



**RANGE**



**SIZE**



**TECHNICAL DATA**

Hydraulic breaker in illustrations SB 152  
 Load and stability diagram can be ordered from Brokk AB

**Performance**

Slewing speed 10 sec/360°  
 Transport speed, max. 2,5 km/h; 0,7 m/s;  
 Incline angle, max. 30°

**Hydraulic system**

Hydraulic system capacity 45 l; 11.8 US gal  
 Pump type Variable load-sensing piston pump  
 System pressure 18 MPa; 2 611 psi  
 Pump flow max 50 Hz/60 Hz 54 l/min; 14,3 US gal/min

**Electric motor**

Type ABB  
 Motor rating\* 15 kW  
 Rated current\* 31 A  
 Rated current reduced power\* 16 A  
 Power consumption\* 0-16,5 kW  
 Starting device Soft start/Direct start

**Control system**

Control type Portable control box  
 Signal code Digital  
 Transfer Cabel/Radio

**Weight**

Weight of basic machine excl attachment & extra equipment 990 kg; 2 183 lbs  
 Recommended attachment weight 160 kg; 352 lbs

**Noise level**

Sound power level Lwa, measured according to directive 2000/14/EC 91 dB(A)

\* Valid for 400V/50Hz

\*\* Hydraulic pressure can be increased depending on the attachment

**ACCESSORIES/OPTIONS**

**Arm System**

Impact and heat protection for cylinder C2 and C3

**Under carriage**

Rubber caterpillar tracks  
 Steel caterpillar tracks

**Heat resistance**

Heat resistant hoses for hydraulic breaker  
 Forced draft cooling of machine  
 Forced draft cooling of breaker

**Other options**

Air flushing through breaker to protect from dust  
 Water spray through breaker to bind dust  
 Brokk cover  
 Extra hydraulic function  
 Drainage hose  
 CAN cable connection for tools

**TOOLS**



**BROKK**

**120 D II**

NEW 2017!

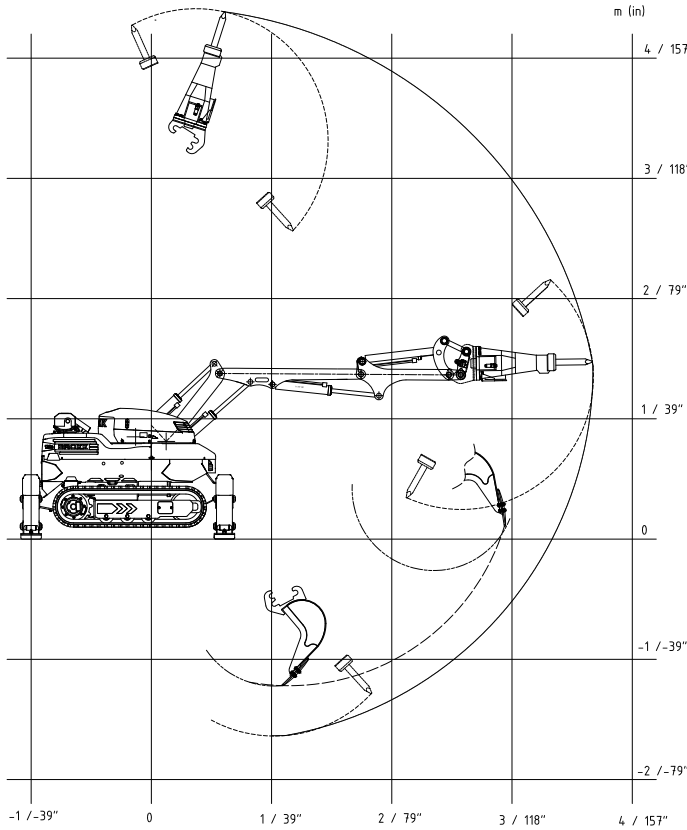


## The mark of diesel-driven excellence

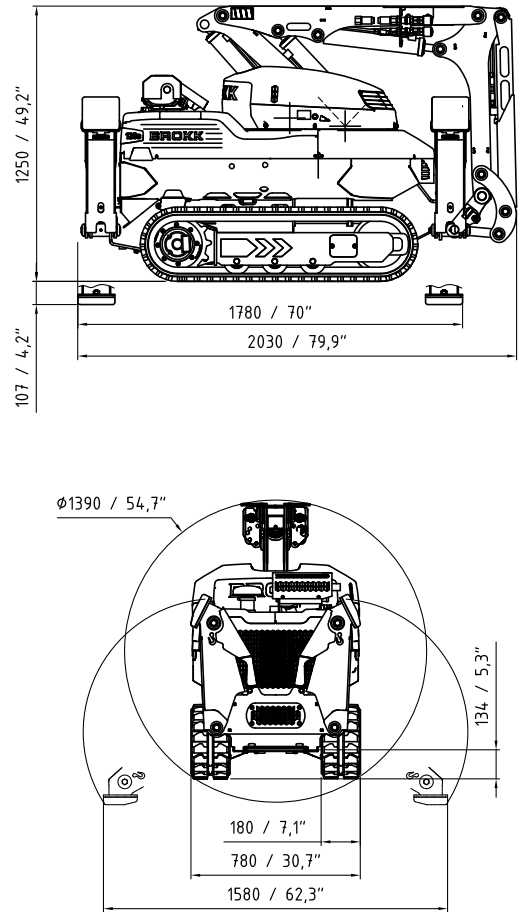
The world's smallest diesel-driven demolition machine, the **BROKK 120D<sup>II</sup>** offers flexibility without compromise. Its small size enables it to enter through any standard door opening and makes it easy to maneuver in tight spaces. Running cordless, it can operate for a minimum of eight hours without refueling. The Mark II version adds to the successful concept with a number of improvements, such as stronger protection of headlights and exposed parts and even easier service. And it keeps the outstanding power and performance that make Brokk machines unique.

- World's smallest diesel-driven demolition machine
- Ideal for sites that lack a reliable power supply
- Tool compatibility with the Brokk 100
- Swift tracking speed for high mobility
- Brokk SmartPower™, a smart and hardened electrical system

**RANGE**



**SIZE**



**TECHNICAL DATA**

Hydraulic breaker in illustration SB 152  
Load and stability diagram can be ordered from Brokk AB

**Performance**

Slewing speed 10 sec/360°  
Transport speed, max. 3,0 km/h; 0,8 m/s; 1.9 mph  
Incline angle, max. 30°

**Hydraulic system**

Hydraulic system capacity 45 l; 11.8 US gal  
Pump type Gear pump with fixed displacement  
System pressure\* 18 MPa; 2610 psi  
Pump flow max 50 Hz/60 Hz 50 l/min; 13.3 US gal/min

**Diesel performance**

Type Three-cylinder, water-cooled, 4-stroke engine  
Motor 18,5 kW; 24.8 hp diesel (EPA Tier 4)  
Fuel tank capacity 30 l; 7.9 US gal  
Engine oil volume with and without filter change 5,1 l; 1.35 US gal  
Oilflow 50 l/min; 13.2 US gal/min  
Coolant volume 4,4 l; 1.2 US gal  
Freezing point -40°C; -40°F

**Control system**

Control type Portable control box  
Signal code Digital  
Transfer Radio

**Weight**

Weight of basic machine excl attachment & extra equipment 1 230 kg; 2 711 lbs  
Recommended attachment weight 160 kg; 352 lbs

**Noise level**

Sound power level Lwa, measured according to directive 2000/14/EC 101 dB(A)

\*Hydraulic pressure can be increased depending on the attachment.

**ACCESSORIES/OPTIONS**

**Arm System**

Impact and heat protection for cylinder C2 and C3

**Under carriage**

Rubber caterpillar tracks  
Steel caterpillar tracks

**Heat resistance**

Heat resistant hoses for hydraulic breaker  
Forced draft cooling of machine  
Forced draft cooling of breaker

**Other options**

Air flushing through breaker to protect from dust  
Water spray through breaker to bind dust  
Brokk cover  
Extra hydraulic function  
Drainage hose  
CAN cable connection for tools

**TOOLS**



# BROKK 160

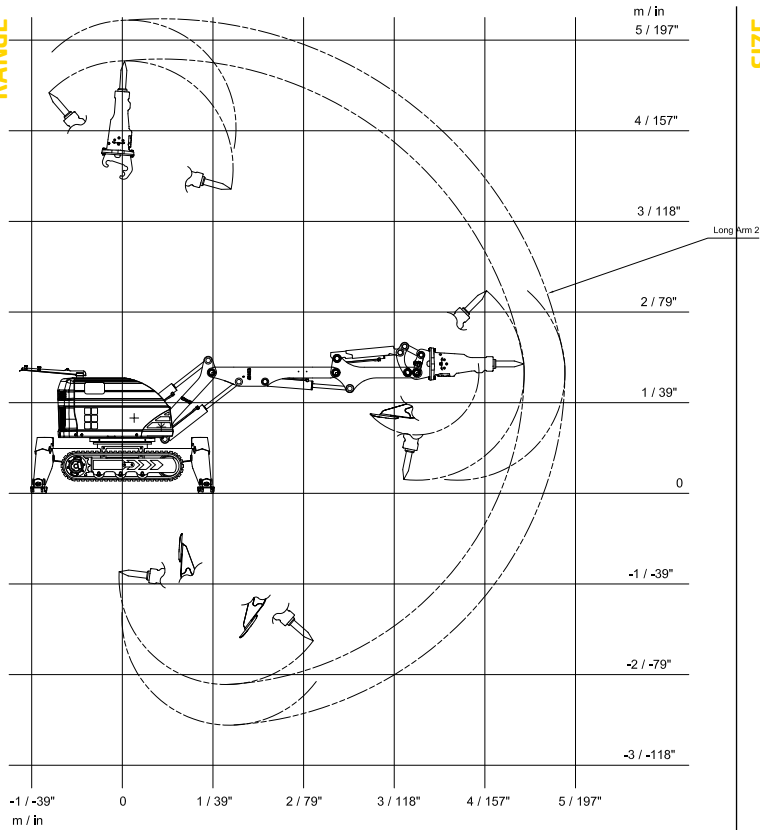


## Cutting-edge Demolition Unleashed

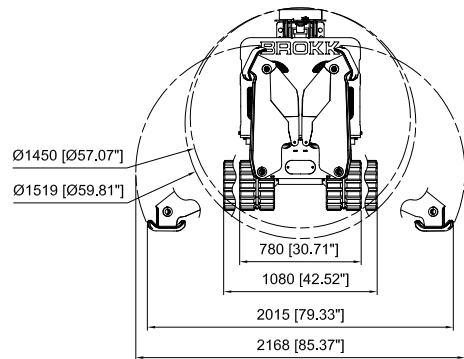
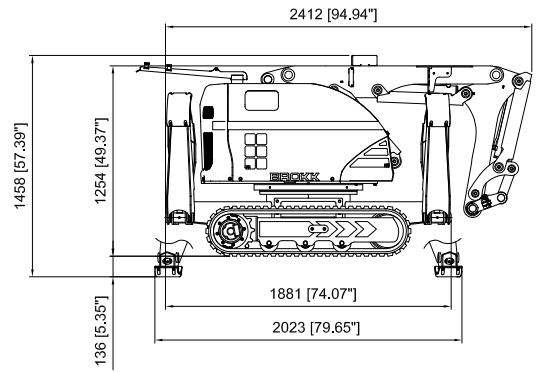
Don't let the size fool you. The **BROKK 160** is a giant step forward when it comes to strength in small packages. This lightweight machine and its mighty electric motor pack a mean wallop with the breaker (over 406 joules at the tip). Still, it's narrow enough to get through standard door openings. Like all our demolition models, the Brokk 160 is designed with safety as the first priority. The state-of-the-art digital remote control removes danger from the demolition equation by giving the operator incredible control and accuracy from a safe distance.

- Operates on only 32 amp electricity
- Maximizes SB 202 breaker performance
- Superb balance in all directions
- Unbeatable cooling capacity
- Service-friendly for onsite maintenance
- Many options and configurations

**RANGE**



**SIZE**



**TECHNICAL DATA**

Hydraulic breaker in illustrations SB 202  
 Load and stability diagram can be ordered from Brokk AB

**Performance**

Slewing speed 10 sec/360°  
 Transport speed, max. 2,1 km/h; 0,6 m/s; 1.3 mph  
 Incline angle, max. 30°

**Hydraulic system**

Hydraulic system capacity 85 l; 22.5 US gal  
 Pump type Variable load-sensing piston pump  
 System pressure\*\* 17,5 MPa; 2538 psi  
 Pump flow max 50 Hz 62 l/min; 16.4 US gal/min  
 60 Hz 74 l/min; 19.7 US gal/min

**Electric motor**

Type ABB  
 Motor rating\* 18.5 kW  
 Rated current\* 36 A  
 Power consumption\* 0-22 kW  
 Starting device Soft start/Direct start

**Control system**

Control type Portable control box  
 Signal code Digital  
 Transfer Cable/Radio

**Weight**

Weight of basic machine excl attachment & extra equipment 1 600 kg; 3 527 lbs  
 Recommended attachment weight 270 kg; 595 lbs

**Noise level**

Sound power level Lwa, measured according to directive 2000/14/EC 87 dB(A)

\*Valid for 400V/50Hz

\*\*Hydraulic pressure can be increased depending on the attachment.

**ACCESSORIES/OPTIONS**

**Arm System**

Impact and heat protection for cylinder C2 and C3  
 Long arm 2

**Under carriage**

Rubber caterpillar tracks  
 Steel caterpillar tracks  
 Dozer blades

**Heat resistance**

Heat resistant hoses for hydraulic breaker  
 Forced draft cooling of machine  
 Forced draft cooling of breaker  
 Steel pads for kiln demolition or furnace

**Other options**

Air flushing through breaker to protect from dust  
 Water spray through breaker to bind dust  
 Counter weight  
 Brokk cover  
 Extra hydraulic function  
 Drainage hose  
 CAN cable connection for tools

**TOOLS**



# BROKK 280

NEW 2016!

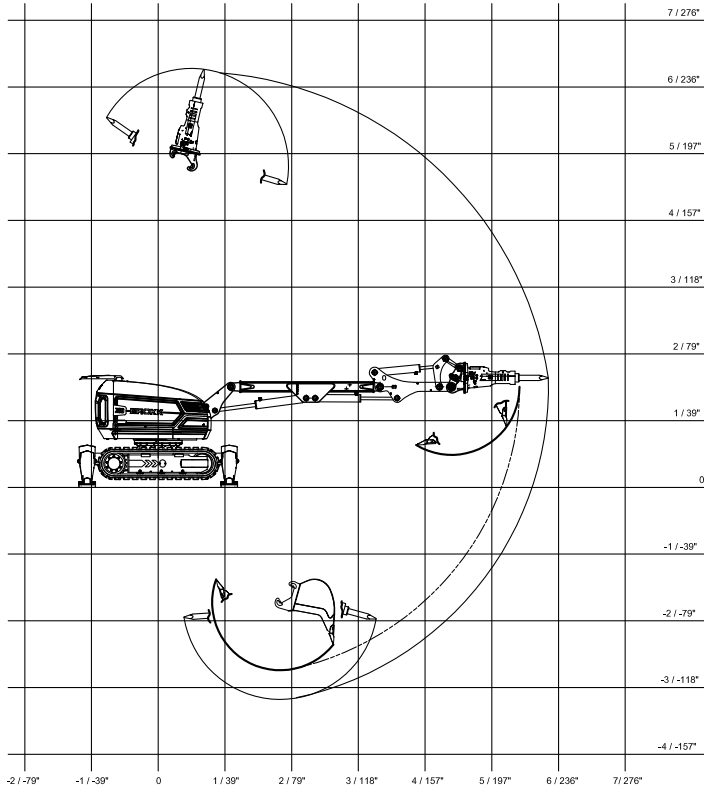


## Outperforming All Opponents.

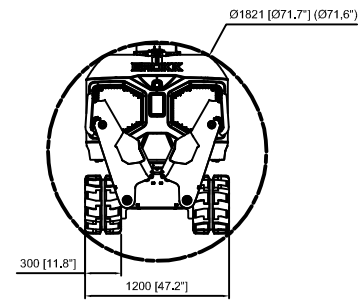
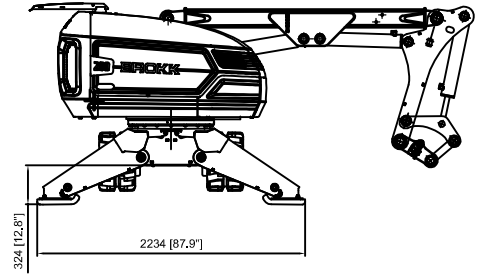
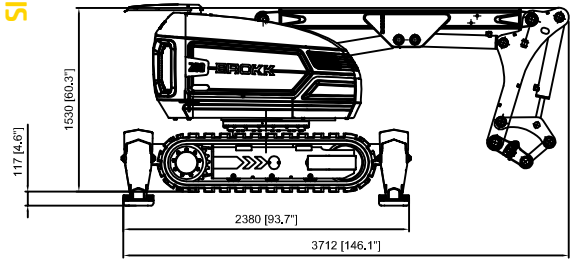
The new **BROKK 280** enters the market of the original Brokk machine size segment. Evolved from the successful Brokk 260, the Brokk 280 just gets better, built to cope with the ever-increasing demands of the demolition industry. With 20% increased breaking performance, the new intelligent and hardened Brokk SmartPower™ electrical system and a more robust design, this model is destined to become a huge success. Like its predecessor, it will outperform much heavier excavators. It's just that the gap has now been increased.

- Outstanding all-around demolition versatility
- 20% more hitting power maximizes the power of SB 302
- Brokk SmartPower™, a new intelligent and hardened electrical system
- Outstanding cooling system
- Rugged and robust

**RANGE**



**SIZE**



**TECHNICAL DATA**

Hydraulic breaker in illustrations SB 302  
 Load and stability diagram can be ordered from Brokk AB

**Performance**

Slewing speed 18 sec/360°  
 Transport speed, max. 2,7 km/h; 0,75 m/s; 1.7 mph  
 Incline angle, max. 30°

**Hydraulic system**

Hydraulic system capacity 90 l; 23.8 US gal  
 Pump type Variable load-sensing piston pump  
 System pressure to cylinders, attachment and motors, max. 18,0 MPa; 2611 psi  
 System pressure, increased to attachment, max 20,0 MPa; 2901 psi  
 Pump flow max 50 Hz 100 l/min; 26.5 US gal/min  
 60 Hz 120 l/min; 31.7 US gal/min

**Electric motor**

Type ABB  
 Motor rating\* 22 kW  
 Rated current\* 41 A  
 Power consumption\* 0-27 kW  
 Starting device Soft start/Direct start

**Control system**

Control type Portable control box  
 Signal code Digital  
 Transfer Cable/Radio

**Weight**

Weight of basic machine excl attachment & extra equipment 3 150 kg; 6 944 lbs  
 Recommended attachment weight 420 kg; 924 lbs

**Noise level**

Sound power level Lwa, measured according to directive 2000/14/EC 93 dB(A)

\*Valid for 400V/50Hz

**ACCESSORIES/OPTIONS**

**Arm System**

Impact and heat protection for cylinder C2 and C3

**Under carriage**

Rubber caterpillar tracks  
 Steel caterpillar tracks

**Heat resistance**

Heat resistant hoses for hydraulic breaker  
 Forced draft cooling of machine  
 Forced draft cooling of breaker  
 Steel pads for kiln demolition or furnace

**Other options**

Air flushing through breaker to protect from dust  
 Water spray through breaker to bind dust  
 Counter weight  
 Cable reel with 63 m cable  
 Brokk cover  
 Extra hydraulic function  
 Drainage hose  
 CAN cable connection for tools

**TOOLS**



# BROKK 400D

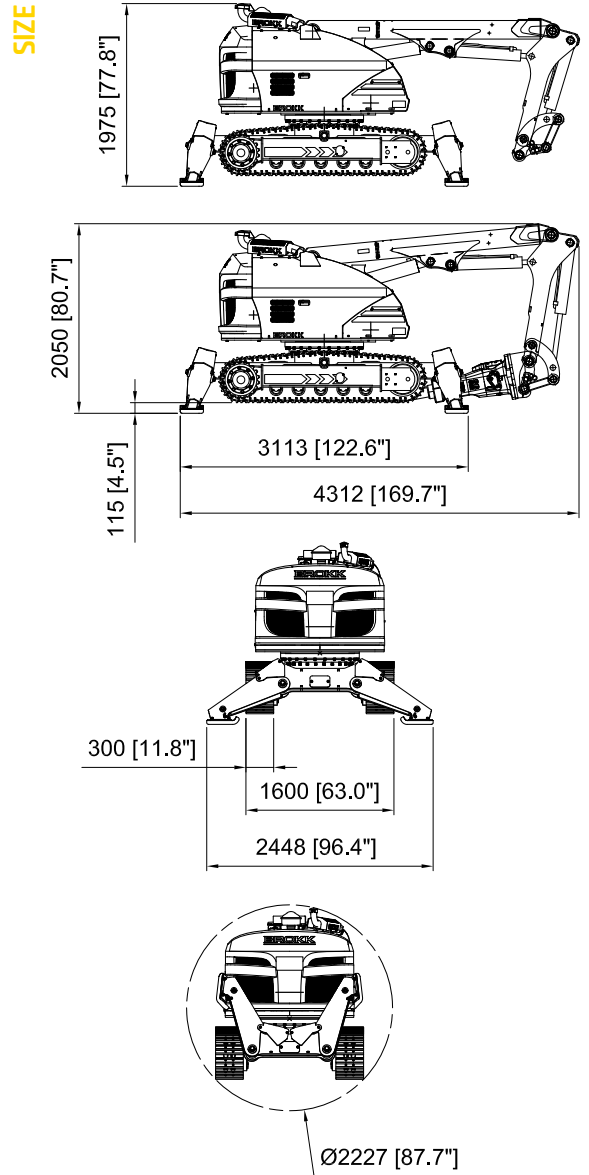
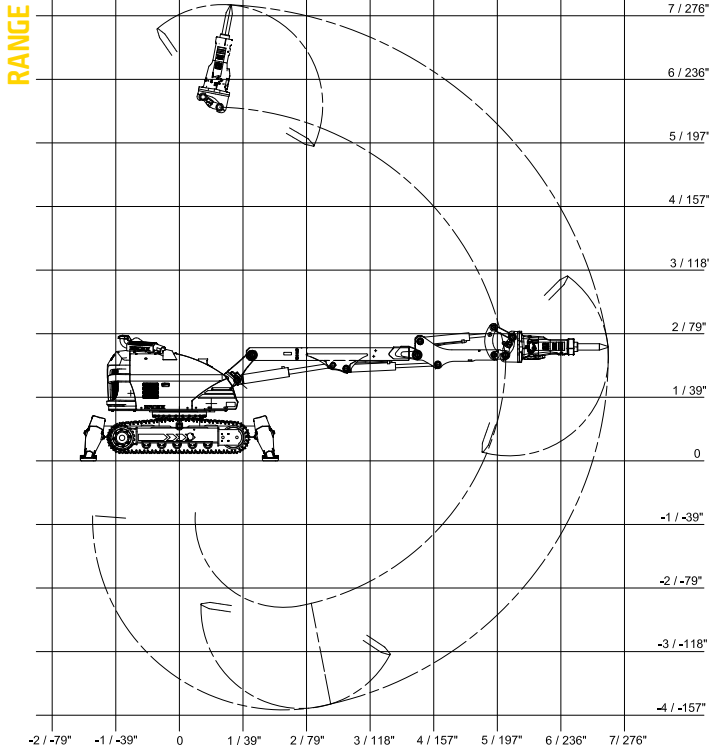


## The Advantage of Diesel Demolition

The bigger, stronger, faster **BROKK 400D** is an impressive step up for diesel-driven demolition. When the job site lacks a power supply, the 400D is the perfect tool for delivering heavy-duty power where you need it most. It outperforms conventional excavators several times heavier with both its breaking capacity and its ability to squeeze into confined spaces. As the fastest Brokk model ever, it moves quickly and easily over longer distances between worksites, delivering a mighty punch with its large hydraulic breaker wherever it goes.

- A heavy-duty demolition workhorse
- Demolition capacity comparable to a 15-20 ton excavator
- Maximizes the power of the SB 552 breaker
- Impressive cooling
- Compact size with exceptional reach
- Ideal for sites that lack a reliable power supply





**TECHNICAL DATA**

Hydraulic breaker in illustrations SB 552  
 Load and stability diagram can be ordered from Brokk AB

**Performance**

|                       |                               |
|-----------------------|-------------------------------|
| Slewing speed         | 20 sec/360°                   |
| Transport speed, max. | 3,4 km/tim; 0,95 m/s; 2.1 mph |
| Incline angle, max.   | 30°                           |

**Hydraulic system**

|   |                                   |
|---|-----------------------------------|
| Hydraulic system capacity                                 | 130 l; 34.3 US gal                |
| Pump type   | Variable load-sensing piston pump |
| System pressure to cylinders, attachment and motors, max. | 17,0 MPa; 2465 psi                |
| System pressure, increased to attachment, max.            | 23,0 MPa; 3336 psi                |
| Pump flow max.  | 130 l/min; 34.3 US gal/min        |

**Diesel performance**

|  |  |
|--|--|
| Type   | Four-cylinder, water-cooled, 4-stroke engine |
| Output at 2600 rpm (SAE J1995)                   | 74 kW; 99.2 hp                               |
| Fuel tank capacity                               | 80 l; 21.1 US gal                            |
| Engine oil volume with and without filter change | 13,2 l; 3.49 US gal                          |
| Coolant volume                                   | 10 l; 2.67 US gal                            |
| Freezing point                                   | -40°C; -40°F                                 |

**Control system**

|              |                      |
|--------------|----------------------|
| Control type | Portable control box |
| Signal code  | Digital              |
| Transfer     | Cable/Radio          |

**Weight**

|   |                    |
|---|--------------------|
| Weight of basic machine excl attachment and extra equipment | 5500 kg; 12125 lbs |
| Recommended attachment weight                               | 600 kg; 1323 lbs   |

**Noise level**

|  |           |
|--|-----------|
| Sound power level Lwa, measured acc. to directive 2000/14/EC | 101 dB(A) |
|--|-----------|

- ACCESSORIES/OPTIONS**
- Arm System**
    - Impact and heat protection for cylinder C2 and C3
    - Heavy duty arm 3 (with direct connected breaker)
  - Under carriage**
    - Rubber caterpillar tracks
    - Steel caterpillar tracks
  - Heat resistance**
    - Heat resistant hoses for hydraulic breaker
    - Forced draft cooling of machine
    - Forced draft cooling of breaker
    - Steel pads for kiln demolition or furnace
  - Other options**
    - Air flushing through breaker to protect from dust
    - Water spray through breaker to bind dust
    - Counter weight
    - Particulate filter
    - Brokk cover
    - Extra hydraulic function
    - Drainage hose
    - CAN cable connection for tools



# BROKK 500

NEW 2017!

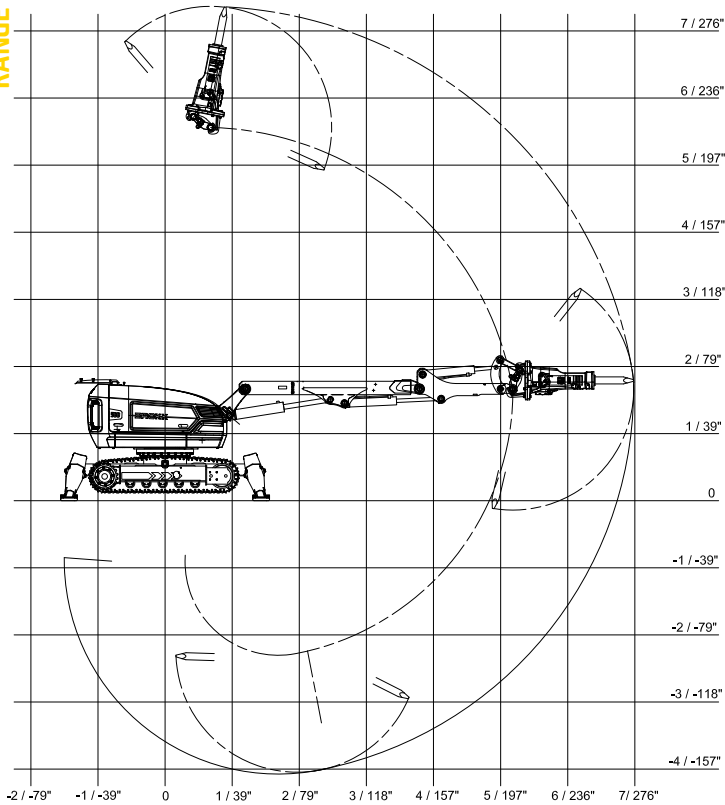


## Stronger, smarter, tougher

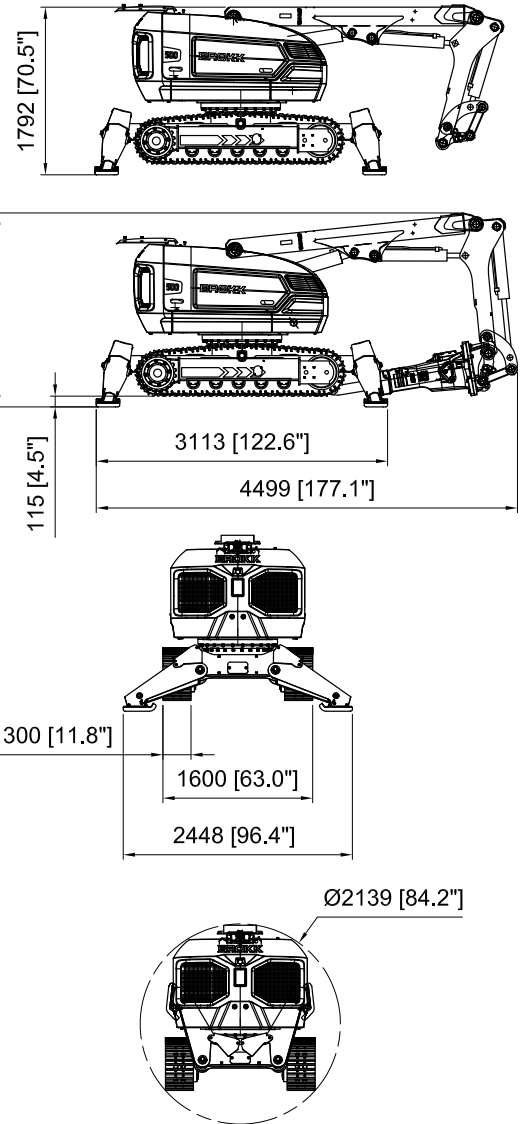
The new **BROKK 500** brings 40% more demolition power than its predecessor. And it provides the ability to size up the attachments, such as the powerful SB 702 breaker. With the new reinforced design and additional work reach over the Brokk 400, while keeping about the same size and weight, it sets a new benchmark in power-to-size ratio in its segment. The Brokk 500 is also equipped with Brokk SmartPower™ – an intelligent and hardened electrical system that dynamically adjusts the power output for maximum performance and industry leading availability over the lifetime of the machine. To top it off, the machine also introduces a number of smart service improvements that will simplify the daily maintenance. In short – stronger, smarter and tougher!

- 40% more demolition power with the SB702 breaker
- Increased work reach and radius
- Brokk SmartPower™ – an intelligent and hardened electrical system
- Industry-leading serviceability
- Compatible with all Brokk 400 attachments

**RANGE**



**SIZE**



**TECHNICAL DATA**

Hydraulic breaker in illustrations SB 702  
 Load and stability diagram can be ordered from Brokk AB

**Performance**

Slewing speed 16 sec/360°  
 Transport speed, max. 2,5 km/h; 0,7 m/s; 1.6 mph  
 Incline angle, max. 30°

**Hydraulic system**

Hydraulic system capacity 130 l; 34.3 US gal  
 Pump type Variable load-sensing piston pump  
 System pressure to cylinders, attachment and motors, max. 18,0 MPa; 2 611 psi  
 System pressure, increased to attachment, max 24,0 MPa; 3 481 psi  
 Pump flow max 50Hz 115 l/min; 30,4 US gal/min  
 60Hz 130 l/min; 34,3 US gal/min

**Electric motor**

Type ABB  
 Motor rating\* 30 kW  
 Rated current\* 55A  
 Power consumption\* 0-38,5 kW  
 Starting device Soft start/Direct start

**Control system**

Control type Portable control box  
 Signal code Digital  
 Transfer Cable/Radio

**Weight**

Weight of basic machine excl. attachment & extra equipment 5 200 kg; 11 464 lbs  
 Recommended max attachment weight 700 kg; 1 543 lbs

**Noise level**

Sound power level Lwa, measured according to directive 2000/14/EC 100 dB(A)

\*Valid for 400V/50Hz

**ACCESSORIES/OPTIONS**

**Arm System**

Impact and heat protection for cylinder C2 and C3  
 Heavy duty arm 3 (with direct connected breaker)

**Under carriage**

Rubber caterpillar tracks  
 Steel caterpillar tracks

**Heat resistance**

Heat resistant hoses for hydraulic breaker  
 Forced draft cooling of machine  
 Forced draft cooling of breaker  
 Steel pads for kiln demolition or furnace

**Other options**

Air flushing through breaker to protect from dust  
 Water spray through breaker to bind dust  
 Counter weight  
 Cable reel with 60 m cable  
 Brokk cover  
 Extra hydraulic function  
 Drainage hose  
 CAN cable connection for tools

**TOOLS**



# BROKK 800P

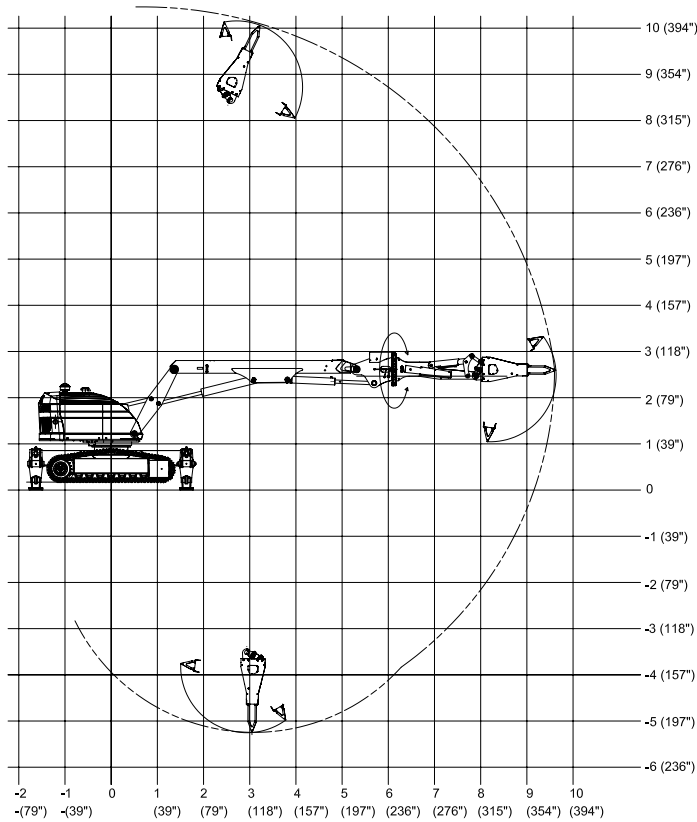


## A True Process Beast

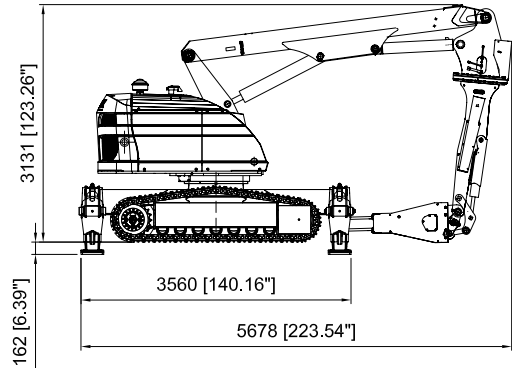
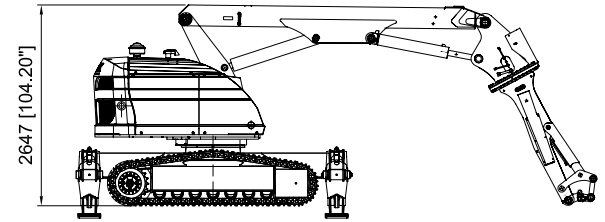
The **BROKK 800P** is considerably bigger than the other machines in the Brokk family. With a weight of 11 300 kg (without attachment), 360 degrees of arm rotation and a reach measuring an incredible 10 meters, it's a game changer for metal processing applications. The Brokk 800P has an unparalleled capacity for heavy, demanding demolition and maintenance work. It's precision operation makes sure no unwanted damage occurs. When equipped with the new process breaker featuring hydraulics heat protection, it's unmatched in its ability to handle hot ladles, converters, runners and furnace work.

- Designed specifically for tough metal process applications
- Rotation boom system for optimal work angles
- Patented heat-shielded process breaker
- Unparalleled reach for its size
- Precision operation to avoid damage
- Available with diesel or electric power

**RANGE**



**SIZE**



**TECHNICAL DATA**

Hydraulic breaker in illustrations SB452  
 Load and stability diagram can be ordered from Brokk AB

**Performance**

Slewing speed 28 sec/360°  
 Transport speed, max. 3,3 km/h; 0,9 m/s; 2 mph  
 Incline angle, max. 30°

**Hydraulic system**

Hydraulic system capacity 165 l; 44 US gal  
 Pump type Variable load-sensing piston pump  
 System pressure to cylinders and motors, max. 18,5 MPa; 2683 psi  
 System pressure, increased to attachment, max 25,0 MPa; 3626 psi  
 Flow max Diesel/ 50 Hz el. motor 140 l/min; 37 US gal/min  
 60 Hz el. motor 168 l/min; 44 US gal/min

**Diesel performance**

Type Four-cylinder, water-cooled, 4-stroke engine  
 Output at 2600 rpm (SAE J1995) 74 kW; 99.2 hp  
 Fuel tank capacity 80 l; 21 US gal  
 Engine oil volume with and without filter change 13,2 l; 3.49 US gal  
 Coolant volume 9 l; 2.38 US gal  
 Freezing point -40°C; -40°F

**Control system**

Control type Portable control box  
 Signal code Digital  
 Transfer Cable/Radio

**Weight**

Weight of basic machine excl attachment & extra equipment (diesel) 11300 kg; 24910 lbs  
 Recommended attachment weight 600 kg; 1323 lbs

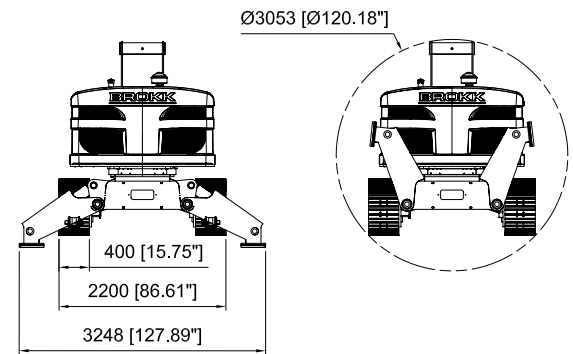
**Electric motor\*\***

Type ABB  
 Motor rating\* 45 kW; 60 hp  
 Rated current\* 81 A  
 Power consumption\* 0-45 kW  
 Starting device Direct start

**Noise level**

Sound power level Lwa, measured acc. to directive 2000/14/EC  
 EI: 99 dB(A)  
 Diesel: 103 dB(A)

\*Valid for 400V/50Hz \*\*Option: Electric motor



**ACCESSORIES/OPTIONS**

**Arm System**

Impact and heat protection for cylinder C2 and C3

**Under carriage**

Steel caterpillar tracks

**Heat resistance**

Heat resistant hoses for hydraulic breaker  
 Forced draft cooling of machine  
 Forced draft cooling of breaker

**Other options**

Particulate filter

**TOOLS**



# BROKK 800S

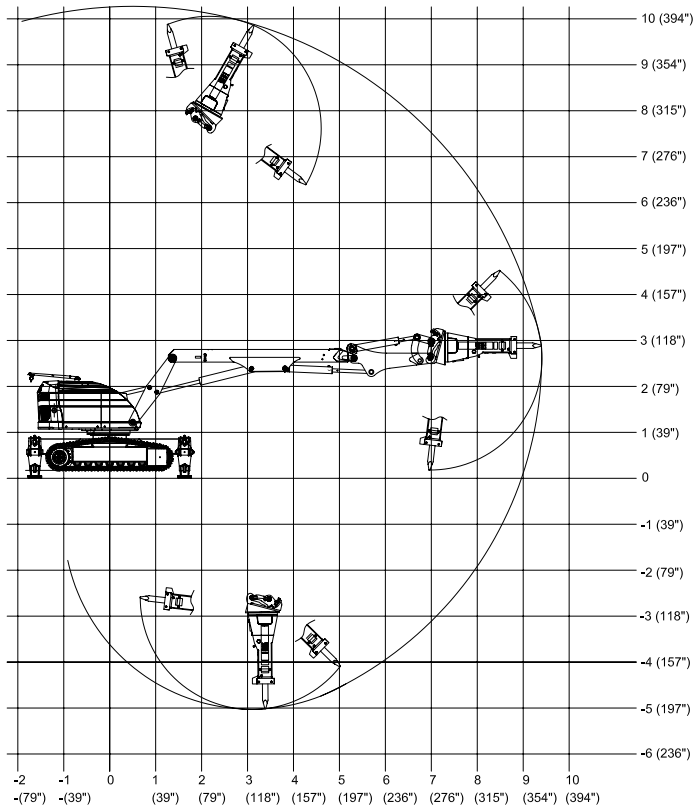


## A New Dimension in Heavy Demolition

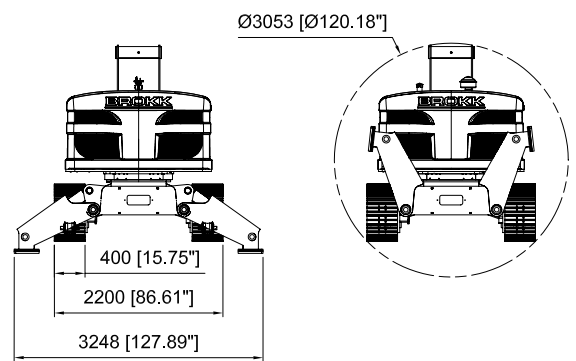
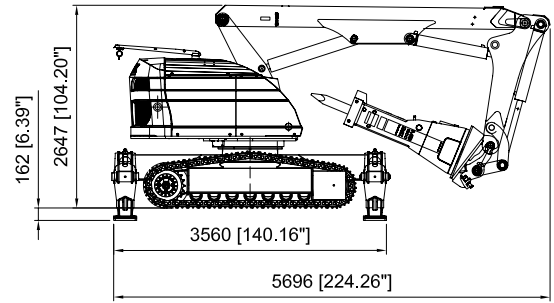
With the **BROKK 800S**, a whole new realm of application opens up in the field of tunneling and heavy demolition. Large size and unmatched capacity make the Brokk 800S ideal for the heavy, demanding work typical of tunnel projects. It weighs in at a hefty 11 050 kg (without attachment) with an arm that extends a whopping 10 meters. All this bulk and reach is coupled with equally impressive power. Equipped with the MB 1200 breaker, the Brokk 800S delivers more than twice the punch of the Brokk 400.

- World's largest remote-controlled demolition machine
- Powerful 1 200 kg breaker
- The ultimate machine for tough tunneling or construction works
- Unparalleled reach for its size
- Available with diesel or electric power

**RANGE**



**SIZE**



**TECHNICAL DATA**

Hydraulic breaker in illustrations MB1200  
 Load and stability diagram can be ordered from Brokk AB

**Performance**

Slewing speed 28 sec/360°  
 Transport speed, max. 3,3 km/h; 0,9 m/s; 2 mph  
 Incline angle, max. 30°

**Hydraulic system**

Hydraulic system capacity 165 l; 44 US gal  
 Pump type Variable load-sensing piston pump  
 System pressure to cylinders and motors, max. 18,5 MPa; 2683 psi  
 System pressure, increased to attachment, max 25,0 MPa; 3626 psi  
 Flow max Diesel/50 Hz el. motor 140 l/min; 37 US gal/min  
 60 Hz el. motor 168 l/min; 44 US gal/min

**Electric motor**

Type ABB  
 Motor rating\* 45 kW; 60 hp  
 Rated current\* 81 A  
 Power consumption\* 0-45 kW  
 Starting device Direct start

**Diesel performance, option\*\***

Type Four-cylinder, water-cooled, 4-stroke engine  
 Output at 2600 rpm (SAE J1995) 74 kW; 99.2 hp  
 Fuel tank capacity 80 l; 21 US gal  
 Engine oil volume with and without filter change 13,2 l; 3.49 US gal  
 Coolant volume 9 l; 2.38 US gal  
 Freezing point -40°C; -40°F

**Control system**

Control type Portable control box  
 Signal code Digital  
 Transfer Cable/Radio

**Weight**

Weight of basic machine excl attachment & extra equipment (diesel) 11 050 kg; 24 361 lbs  
 Recommended attachment weight 1 200 kg; 2 645 lbs

**Noise level**

Sound power level Lwa, measured acc. to directive 2000/14/EC  
 El: 99 dB(A)  
 Diesel: 103 dB(A)

\*Valid for 400V/50Hz \*\*Option: Diesel motor

**ACCESSORIES/OPTIONS**

**Arm System**

Impact and heat protection for cylinder C2 and C3  
 Heavy duty arm 3

**Under carriage**

Steel caterpillar tracks

**Heat resistance**

Forced draft cooling of machine

**Other options**

Air flushing through breaker to protect from dust  
 Particulate filter  
 Extra hydraulic function  
 Drainage hose  
 CAN cable connection for tools

**TOOLS**



**BROKK****EX****BROKK 60 EX  
BROKK 100 EX  
BROKK 160 EX  
BROKK 280 EX  
BROKK 400 EX  
BROKK 800 EX****NEW 2015!**

## Introducing the Brokk Ex Series

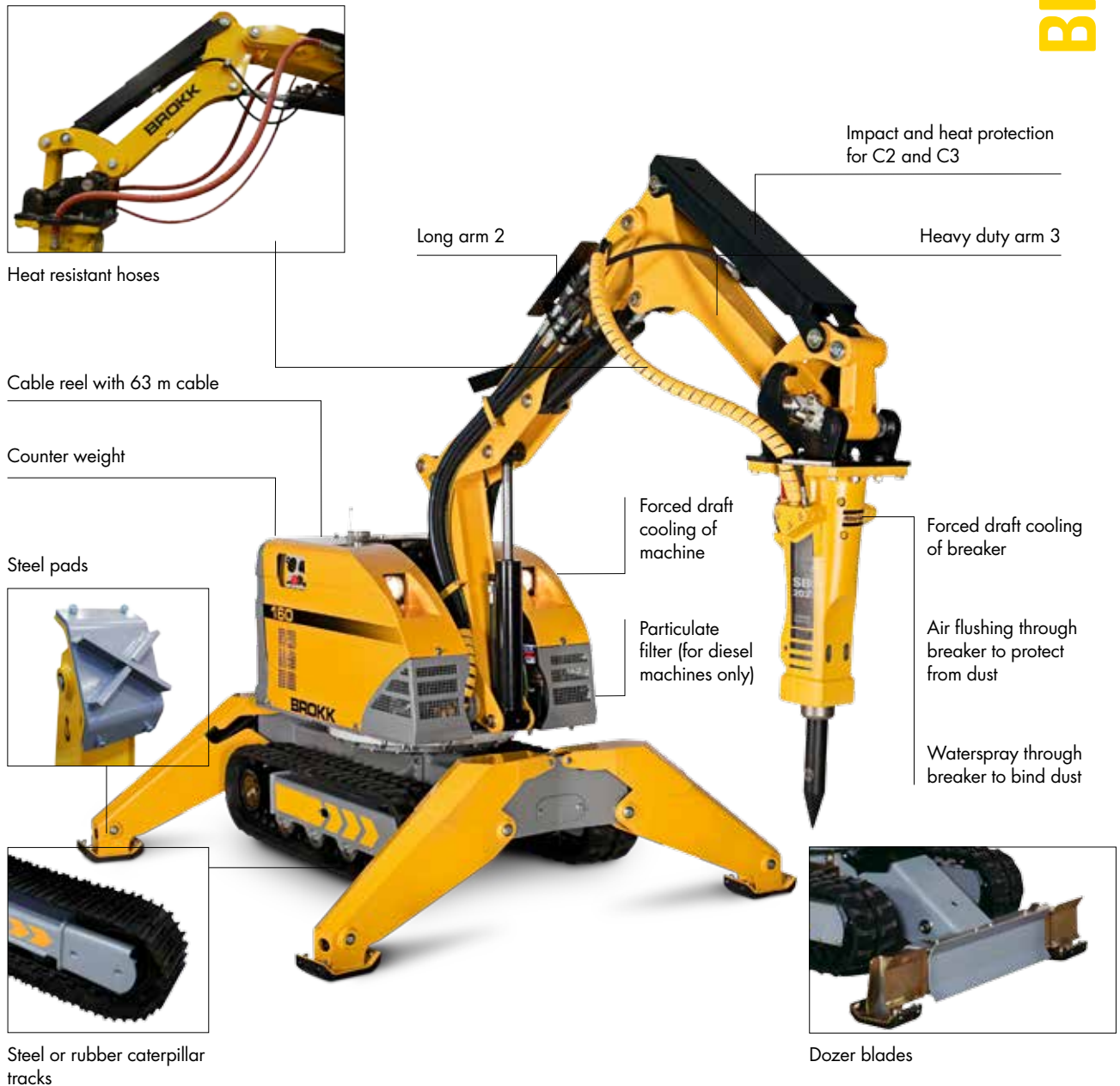
Behold the newest members of the Brokk family: The Brokk Ex Series. This new product lineup consists of six models designed specifically for use in potentially explosive environments. With specialized modifications and equipment, such as explosion-proof electrical cabinets, gas detectors and more, these machines provide a new level of safety and durability in work areas with explosive gas hazards.

All Ex machines comply with the ATEX 1994/9/EC directive, classified up to Equipment Class 3G IIA T3. They can be used in what the ATEX directive calls "Zone 2", where explosive gas, vapor or mist may occur. This new capability is especially important for customers working in mining, petroleum and other potentially dangerous industries. The Ex Series brings an even higher margin of Brokk safety to all these environments.

- **Explosion proof according to ATEX directive**
- **Ideal for potentially explosive environments**
- **Same outstanding capabilities as standard Brokk machines**



# OPTIONS BROKK



## Build Your Own Brokk. For Your Own Specific Needs.

**AT A FIRST GLANCE**, the Brokk family seems to consist of 8 members; from the small but surprisingly powerful Brokk 60<sup>II</sup> to the monster of power, Brokk 800. But since you are able to customize your machine with different types of options – long arms, dozer blades etc – you can literally create your own Brokk model.

Here you can see some available options making your Brokk machine even more effective and versatile, year after year. Different options are applicable on different machines, please see specific data sheet for each machine model.





BR JK

PARIS  
1.16 PM

ATTACHMENTS

Equipped with additional tools, a Brokk becomes even more profitable for your business. Grapples, scabblers, buckets, drills and other devices greatly expand the machine's efficiency and versatility. Here's our wide and ever-expanding range of original Brokk attachments:



SB302

 **BREAKERS**

|                | Hitting power* | Blows/min   | Weight             | Made for             |
|----------------|----------------|-------------|--------------------|----------------------|
| <b>SB 52</b>   | 101 J/Nm       | 960 – 1 700 | 55 kg/121 lbs      | Brokk 60             |
| <b>SB 152</b>  | 254 J/Nm       | 840 – 1 900 | 140 kg/309 lbs     | Brokk 110, 120D, 160 |
| <b>SB 202</b>  | 406 J/Nm       | 850 – 1 800 | 200 kg/441 lbs     | Brokk 160            |
| <b>SB 302</b>  | 610 J/Nm       | 600 – 1 400 | 310 kg/683 lbs     | Brokk 280            |
| <b>SB 452</b>  | 855 J/Nm       | 550 – 1 250 | 441 kg/972 lbs     | Brokk 400D, 500 800  |
| <b>SB 552</b>  | 1 048 J/Nm     | 650 – 1 150 | 520 kg/1 146 lbs   | Brokk 400D           |
| <b>SB 702</b>  | 1 472 J/Nm     | 600 – 1 050 | 685 kg/1 510 lbs   | Brokk 500            |
| <b>MB 1200</b> | 2 709 J/Nm     | 340 – 680   | 1 200 kg/2 646 lbs | Brokk 800            |

\*Actual output, impact energy class (Joule/Nm)

A variety of chisels and tools can be fitted to the breakers. Other breaker brands can also be used on Brokk machines. Contact your local Brokk dealer or Brokk AB for information.



PTA-09

 **SIDE ANGLING DEVICE\*\***

|                 | Angle | Weight*          | Made for               |
|-----------------|-------|------------------|------------------------|
| <b>PTA-04,5</b> | ±60°  | 140 kg/309 lbs   | SB 102/Brokk 110, 120D |
| <b>PTA-06</b>   | ±70°  | 215 kg/474 lbs   | SB 152/Brokk 160       |
| <b>PTA-07</b>   | ±70°  | 330 kg/728 lbs   | SB 202/Brokk 280       |
| <b>PTA-09</b>   | ±55°  | 555 kg/1 224 lbs | SB 302/Brokk 400D, 500 |

\*With breaker

\*\*Requires one extra hydraulic function

All weights are relate operational tool (incl: mounting plate, hoses, oil etc)



## CONCRETE CRUSHERS\*\*



CC520

|               | Jaw opening   | Rebars        | Crushing force           | Weight without mounting kit | Made for                |
|---------------|---------------|---------------|--------------------------|-----------------------------|-------------------------|
| <b>CC260</b>  | 250 mm/9.8 in | Ø16 mm/0.6 in | 220 kN/22 t/<br>49 Klbf  | 74 kg/<br>163 lbs           | Brokk 60                |
| <b>CC340</b>  | 343 mm/14 in  | Ø30 mm/1.2 in | 360 kN /37 t/<br>81 Klbf | 150 kg/<br>331 lbs          | Brokk 110, 120D         |
| <b>CC430*</b> | 431 mm/17 in  | Ø30 mm/1.2 in | 382 kN/39 t/<br>86 Klbf  | 240 kg/<br>529 lbs          | Brokk 160               |
| <b>CC520*</b> | 540 mm/21 in  | Ø30 mm/1.2 in | 466 kN/48 t/<br>105 Klbf | 350 kg/<br>772 lbs          | Brokk 280               |
| <b>CC700*</b> | 650 mm/26 in  | Ø30 mm/1.2 in | 680 kN/70 t/<br>153 Klbf | 530 kg/<br>1 168 lbs        | Brokk 400D,<br>500, 800 |

\*Option pulverizing pads

\*\*Free rotation



## METAL SHEARS\*



Tank Cutter TC120

|                  | Cutting force           | Opening width  | Weight without mounting kit | Made for             |
|------------------|-------------------------|----------------|-----------------------------|----------------------|
| <b>MC200</b>     | 490 kN/50 t/110 Klbf    | 200 mm/7.9 in  | 130 kg/287 lbs              | Brokk 110, 160, 120D |
| <b>TC120</b>     | 660 kN/60 t/149 Klbf    | 125 mm/4.9 in  | 270 kg/595 lbs              | Brokk 160, 280       |
| <b>CC420S</b>    | 740 kN/75 t/166 Klbf    | 145 mm/6 in    | 275 kg/606 lbs              | Brokk 160, 280       |
| <b>CC700S</b>    | 1 840 kN/188 t/414 Klbf | 268 mm/11 in   | 625 kg/1 378 lbs            | Brokk 400, 800       |
| <b>BMS 100</b>   | 647 kN/66 t/145 Klbf    | 195 mm/7.7 in  | 380 kg/838 lbs              | Brokk 160, 280       |
| <b>BMS 140</b>   | 863 kN/88 t/194 Klbf    | 290 mm/11.4 in | 645 kg/1 422 lbs            | Brokk 400D, 500      |
| <b>BMS 250-H</b> | 1 353 kN/138 t/304 Klbf | 375 mm/14.8 in | 1 360 kg/2 998 lbs          | Brokk 800            |

\*Requires one extra hydraulic function  
Rotator with continuous rotation



## BUCKETS\*



2501

| Volume           | Width            | Weight           | Made for                  |
|------------------|------------------|------------------|---------------------------|
| 20 l/0.7 cu ft   | 330 mm/13 in     | 20 kg/44 lbs     | Brokk 60                  |
| 60 l/2.1 cu ft   | 520 mm/20.5 in   | 61 kg/134 lbs    | Brokk 110, 120D           |
| 80 l/2.8 cu ft   | 690 mm/27.2 in   | 76 kg/168 lbs    | Brokk 160                 |
| 250 l/8.8 cu ft  | 930 mm/36.6 in   | 195 kg/430 lbs   | Brokk 280, 400D, 500, 800 |
| 700 l/24.7 cu ft | 1 050 mm/41.3 in | 650 kg/1 433 lbs | Brokk 800                 |

\*See load diagram for each Brokk machine

All weights are relate operational tool (incl: mounting plate, hoses, oil etc)



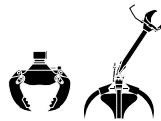
C05HPX



## CLAMSHELL BUCKETS\*

|                  | Volume           | Opening range    | Width          | Weight           | Made for        |
|------------------|------------------|------------------|----------------|------------------|-----------------|
| <b>C02H-25</b>   | 25 l/0.9 cu ft   | 725 mm/28.5 in   | 250 mm/9.8 in  | 110 kg/243 lbs   | Brokk 110, 120D |
| <b>C03H-35</b>   | 65 l/2.3 cu ft   | 880 mm/34.6 in   | 350 mm/13.8 in | 175 kg/386 lbs   | Brokk 160       |
| <b>C05H-40</b>   | 115 l/4.1 cu ft  | 1 090 mm/42.9 in | 400 mm/15.7 in | 210 kg/463 lbs   | Brokk 280       |
| <b>C05HPX-60</b> | 170 l/6.0 cu ft  | 1 110 mm/43.7 in | 600 mm/23.6 in | 375 kg/827 lbs   | Brokk 400D, 500 |
| <b>C08HPX-80</b> | 300 l/10.6 cu ft | 1 250 mm/49.2 in | 800 mm/31.5 in | 580 kg/1 279 lbs | Brokk 800       |

\*See load diagram for each Brokk machine  
Rotator with continuous rotation  
Requires one extra hydraulic function



## MULTI PURPOSE GRAPPLES\*



A05HPX-40

|                  | Volume          | Opening range    | Width          | Weight           | Made for             |
|------------------|-----------------|------------------|----------------|------------------|----------------------|
| <b>A02H-30</b>   | 35 l/1.2 cu ft  | 835 mm/32.9 in   | 300 mm/11.8 in | 152 kg/335 lbs   | Brokk 110, 120D, 160 |
| <b>A03H-40</b>   | 70 l/2.5 cu ft  | 1 475 mm/58.1 in | 390 mm/15.4 in | 285 kg/628 lbs   | Brokk 280            |
| <b>A05HPX-40</b> | 100 l/3.5 cu ft | 1 400 mm/55.1 in | 400 mm/15.7 in | 410 kg/904 lbs   | Brokk 400D, 500      |
| <b>A09HPX-50</b> | 200 l/7.1 cu ft | 1 650 mm/65 in   | 500 mm/19.7 in | 675 kg/1 488 lbs | Brokk 800            |

### Orange Peel Grapple



KM651-4

|                    |                 |                  |                  |                  |                 |
|--------------------|-----------------|------------------|------------------|------------------|-----------------|
| <b>KM651-4 180</b> | 180 l/6.4 cu ft | 1 450 mm/57.1 in | 1 070 mm/42.1 in | 520 kg/1 146 lbs | Brokk 400D, 500 |
| <b>KM651-4 250</b> | 250 l/8.8 cu ft | 1 550 mm/61 in   | 1 285 mm/50.6 in | 870 kg/1 918 lbs | Brokk 800       |

\*See load diagram for each Brokk machine  
Requires one extra hydraulic function  
Rotator with continuous rotation

G30



## SORTING & DEMOLITION GRAPPLES\*

|                  | Jaw opening      | Weight           | Made for             |
|------------------|------------------|------------------|----------------------|
| <b>G30</b>       | 300 mm/11.8 in   | 42 kg/93 lbs     | Brokk 60             |
| <b>G50</b>       | 400 mm/15.7 in   | 140 kg/309 lbs   | Brokk 110, 120D, 160 |
| <b>D02H-30</b>   | 790 mm/31.1 in   | 133 kg/293 lbs   | Brokk 110, 120D, 160 |
| <b>D03HPX-40</b> | 975 mm/38.4 in   | 310 kg/683 lbs   | Brokk 280            |
| <b>D05HPX-50</b> | 1 135 mm/44.7 in | 400 kg/882 lbs   | Brokk 400D, 500      |
| <b>D09HPX-60</b> | 1 400 mm/55.1 in | 595 kg/1 312 lbs | Brokk 800            |

\*See load diagram for each Brokk machine  
Requires one extra hydraulic function  
Rotator with continuous rotation



D02H

All weights are relate operational tool (incl: mounting plate, hoses, oil etc)

ER 100



## SCABLERS

|                   | Cutting depth**  | Width          | Weight           | Made for                       |
|-------------------|------------------|----------------|------------------|--------------------------------|
| <b>RT 15-40</b>   | 0-5 mm/0-0.2 in  | 120 mm/4.7 in  | 66 kg/146 lbs    | Brokk 60                       |
| <b>RT 15-90*</b>  | 0-5 mm/0-0.2 in  | 203 mm/8 in    | 102 kg/225 lbs   | Brokk 110, 120D, 160           |
| <b>ER 50****</b>  | 0-30 mm/0-1.2 in | 480 mm/18.9 in | 160 kg/353 lbs   | Brokk 110, 120D, 160           |
| <b>ER 100****</b> | 0-65 mm/0-2.6 in | 610 mm/24 in   | 345 kg/761 lbs   | Brokk 160, 280, 400D, 500, 800 |
| <b>ER 250****</b> | 0-80 mm/0-3.1 in | 680 mm/26.8 in | 545 kg/1 202 lbs | Brokk 400D***, 500             |

\*Cover and suction on request

\*\*Data depending on concrete quality

\*\*\*B800 on request depending on requirement

\*\*\*\*Requires drainage hose

BCP250



## PLANERS

|                    | Cutting depth   | Width          | Weight           | Made for             |
|--------------------|-----------------|----------------|------------------|----------------------|
| <b>BCP 215* **</b> | 0-5 mm/0-0.2 in | 215 mm/8.5 in  | 230 kg/507 lbs   | Brokk 110, 120D      |
| <b>BCP 250* **</b> | 0-5 mm/0-0.2 in | 265 mm/10.4 in | 345 kg/761 lbs   | Brokk 160            |
| <b>BCP 350* **</b> | 0-5 mm/0-0.2 in | 335 mm/13.2 in | 600 kg/1 323 lbs | Brokk 280, 400D, 500 |
| <b>PLB 300*</b>    | 0-50 mm/0-2 in  | 300 mm/11.8 in | 452 kg/996 lbs   | Brokk 280, 400D, 500 |

\*Available with cover and suction

\*\*Requires extra hydraulic function, drainage hose, cable kit, counter weight in some occasions  
Requires load holding. On request

PLB 300



TE 160-100



## DRILLING EQUIPMENT\*\*\*

|                    | Length                | Drill diameters           | Drill steel size | Max. stroke length** | Weight               | Made for                  |
|--------------------|-----------------------|---------------------------|------------------|----------------------|----------------------|---------------------------|
| <b>TE 160-100</b>  | 1 910 mm/<br>75.2 in  | 33 – 42mm<br>1.3 – 1.7 in | R25              | 1 000 mm/<br>3.3 ft  | 225 kg/<br>496 lbs   | Brokk 110, 120D, 160      |
| <b>TE 260-180*</b> | 2 900 mm/<br>114.2 in | 33 – 52 mm<br>1.3 – 2 in  | R32              | 1 830 mm/<br>6 ft    | 415 kg/<br>915 lbs   | Brokk 160, 280, 400D, 500 |
| <b>TE 260-240*</b> | 3 500 mm/<br>137.8 in | 33 – 52 mm<br>1.3 – 2 in  | R32              | 2 435 mm/<br>8 ft    | 432 kg/<br>952 lbs   | Brokk 280, 400            |
| <b>TE 360-240*</b> | 3 590 mm/<br>141.3 in | 42 – 76 mm<br>1.7 – 3 in  | R32              | 2 435 mm/<br>8 ft    | 644 kg/<br>1 420 lbs | Brokk 400D, 500, 800      |

\*Extension rod drilling

\*\*Per stroke with open centerlizer

\*\*\*Requires drainage hose, cable kit, counter weight in some occasions, water or airflushing

All weights are relate operational tool (incl: mounting plate, hoses, oil etc)



Brokk Beam Grapple



## ■ BEAM GRAPPLE\*

|                           | Jaw opening   | Beam weight   | Weight         | Made for            |
|---------------------------|---------------|---|----------------|---------------------|
| <b>Brokk Beam Grapple</b> | 250 mm/9.8 in | B280: 90 kg/198 lbs<br>B400: 500 kg/1 102 lbs<br>B800: 500 kg/1 102 lbs | 320 kg/705 lbs | Brokk 280, 400, 800 |

\*Requires load holding valves with hose burst function  
Requires two extra hydraulic functions

Brokk Shot Crete



## ■ SHOT CRETE\*

|                         | Concrete hose (di) | Gunning pressure        | Air pressure            | Weight         | Made for**                |
|-------------------------|--------------------|-------------------------|-------------------------|----------------|---------------------------|
| <b>Brokk Shot Crete</b> | 45 mm/1.8 in       | Depend on concrete pump | Depend on concrete pump | 180 kg/397 lbs | Brokk 280, 400D, 500, 800 |

\*Requires two extra hydraulic functions  
\*\*Other models on request

BCS10



## ■ CUT OFF SAW\*

|                   | Saw disk diameter** | Cutting depth*** | Weight         | Made for                  |
|-------------------|---------------------|------------------|----------------|---------------------------|
| <b>BCS 8</b>      | 400 mm/16 in        | 170 mm/7 in      | 62 kg/137 lbs  | Brokk 60                  |
| <b>BCS 10</b>     | 400 mm/16 in        | 170 mm/7 in      | 65 kg/143 lbs  | Brokk 110, 120D, 160      |
| <b>BCS 25****</b> | 800 mm/31 in        | 260 mm/10 in     | 192 kg/423 lbs | Brokk 160                 |
| <b>BCS 35****</b> | 800 mm/31 in        | 260 mm/10 in     | 195 kg/430 lbs | Brokk 280, 400D, 500, 800 |

\*Requires one extra hydraulic function  
\*\*Different saw disks available depending on material  
\*\*\*With new saw disk  
\*\*\*\*Requires drainage hose



C20



## ■ SPLITTERS

|                 | Length         | Drill hole diameter | Splitting force theoretical             | Weight without mounting kit | Made for                 |
|-----------------|----------------|---------------------|---|-----------------------------|--------------------------|
| <b>C20 V**</b>  | 1 833 mm/72 in | 76 mm/3 in          | 14 760 kN-17 660 kN/<br>1 500 t-1 800 t | 390 kg/<br>860 lbs          | Brokk 280*-<br>400D, 500 |
| <b>C20 H***</b> | 1 790 mm/70 in | 76 mm/3 in          | 14 760 kN-17 660 kN/<br>1 500 t-1 800 t | 395 kg/<br>871 lbs          | Brokk 280*-<br>400D, 500 |
| <b>C20 J**</b>  | 2 110 mm/83 in | 76 mm/3 in          | 14 760 kN-17 660 kN/<br>1 500 t-1 800 t | 375 kg/<br>827 lbs          | Brokk 280*-<br>400D, 500 |

\*Require counter weight  
\*\*Requires one extra hydraulic function  
\*\*\*Requires two extra hydraulic functions

All weights are relate operational tool (incl: mounting plate, hoses, oil etc)





**BROKK**

## Maximizing Safety and Productivity. Welcome to Brokk Academy.



Operating a Brokk machine is easy to learn, but practice and experience make a world of difference. To maximize your productivity, we provide specialized training courses for Brokk operators and service personnel. Learning the safe, smart way to work with your machine will make each job more profitable while maximizing your return on your Brokk investment.

Our training program, Brokk Academy, equips you with all the knowledge needed to safely operate and master your Brokk machine. It's also an effective guide for expanding the variety of work you're capable of doing with a Brokk. Although demolition is the primary job of every Brokk, the machines can be used for a wide range of tasks by simply adding a new attachment and the right training.



Knock over the barrels



**Our newly developed** simulator is an invaluable part of the Brokk Academy.

**Safety comes first.** Brokk training can be adapted to your specific work situation. This personalized training combined with the unique features built into every Brokk machine, will maximize your efficiency and safety.



**Our unique** training program, the Brokk Academy, gets you off to the best possible start with hands-on education by experienced Brokk experts.



**Direct contact** with the Brokk experts makes commissioning effective and project specific.

**With more** than 7,000 machines in use world-wide, Brokk knows the importance of conveying knowledge.

## Help You Can Count On. Whenever and Wherever You Need It.



With 40 years of demolition experience, Brokk has the capabilities and know-how to provide you with the best possible service solution. We take great pride in our dedicated, well-trained service personnel, many of whom have been helping Brokk owners for 10 years or more. The same goes for our parts service. Our efficient distribution center combined with a well-equipped service network ensures effective troubleshooting and swift parts delivery—two essential factors in getting tough demolition jobs completed safely and on time.

Original Brokk parts are designed and dimensioned for optimal performance to ensure longer life and maximum reliability. In addition, all of our distributors participate in continuous, comprehensive training programs, guaranteeing the same high-quality Brokk service throughout the world.

To simplify troubleshooting, we provide a detailed user-friendly manual with each Brokk machine, and our vast pool of service knowledge is just a phone call away. We can also assemble spare parts packages that are tailor-made for your new machine upon request.





**Thanks to our global** service network, assistance is always just around the corner.

**Brokk machines are built** to last. Their unique quality coupled with regular maintenance ensures that every Brokk will continue to work long after competitor's machines have quit.

**40 years** of experience in construction and demolition projects worldwide are just a phone call away. Our spare parts distribution center and our well-equipped service network ensure quick access to parts and lubricants.



# Headquarters

## SWEDEN

**Brokk AB**  
Box 730  
931 27 Skellefteå  
Sweden  
Phone: +46(0) 910 711 800  
info@brokk.com  
www.brokk.com

# Our Subsidiaries

## AUSTRALIA

**Brokk Australia Pty Ltd**  
9 Colorado Court  
Morphett Vale  
South Australia 5162  
Australia  
Phone: +61(0) 8 8387 7742  
info@brokkaustralia.com.au  
www.brokkaustralia.com.au

## BELGIUM

**Brokk Belgium**  
Part of Brokk France SAS  
ZI Inova 3000  
BP n°20033  
F-88151 Thaon les Vosges  
France  
www.brokk.com  
jvdp@brokk.fr

## CHINA

**Brokk (Beijing) Machines Co. Ltd.**  
A1208 ChengJian Plaza,  
No. 18 Beitapingzhuang Road,  
Haidian, Beijing 100088  
P.R. China  
Phone: +86(0) 10 8225 5331  
info-2008@brokk.com.cn  
www.brokk.com.cn

## FRANCE

**Brokk France**  
ZI Inova 3000, BP 20033  
88151 THAON-LES-VOSGES  
CEDEX  
France  
Phone: +33(0) 329 390 390  
info@brokk.fr  
www.brokk.fr

## GERMANY

**Darda GmbH**  
Im Tal 1  
D-78176 Blumberg  
Germany  
Phone: +49 (0) 770 243 910  
info@darda.de  
www.darda.de

## ITALY

**Brokk Italia srl**  
Via Regina Teodolinda, 17  
22100 Como  
Italy  
Phone: +39 031 264 087  
Mobile: +39 331 854 5276  
info@brokk.it  
www.brokk.com/it

## NORWAY

**Brokk Norge AS**  
Industriveien 24  
1400 Ski  
Norway  
Phone: +47(0) 94 83 95 07  
info@brokk.no  
www.brokk.com/no

## SINGAPORE

**Brokk Asia-Pacific Pte Ltd**  
51 Bukit Batok Crescent  
Unity Centre # 04-26  
Singapore 658077  
Singapore  
Phone: +65 6316 2500  
info@brokk.com.sg  
www.brokk.com/spp

## SWEDEN

**Ahlberg Cameras AB**  
Gösvägen 22  
761 41 Norrtälje  
Sweden  
Phone: +46 176 20 55 00  
sales@ahlbergcameras.com  
www.ahlbergcameras.com

## SWITZERLAND

**Brokk Switzerland GmbH**  
Vorderschlundstrasse 5  
CH-6010 Kriens  
Switzerland  
Phone: +41 41 755 39 77  
service@brokk.ch  
www.brokk.com/ch

## UNITED ARAB EMIRATES

**Brokk Middle East**  
co Business Sweden  
P.O. Box 25906/Concord Tower  
Office 26076, Media City, Dubai  
UAE  
Phone: +97144298600  
haitham.gouda@brokk.com  
mervin.john@brokk.com

## UNITED KINGDOM

**Brokk UK Ltd.**  
Unit 2 A Moss End Business  
Village  
Crooklands, Milnthorpe  
Cumbria, LA7 7NU  
England  
Phone: +44(0) 153 95 66055  
nathan.sayers@brokkuk.co.uk  
www.brokk.com/uk

## USA

**Brokk Inc.**  
1144 Village Way  
Monroe WA 98272  
USA  
Phone: +1 360 794 1277  
info@brokkinc.com  
www.brokk.com/us

## USA

**Brokk Bricking Solutions Inc.**  
1144 Village Way  
Monroe, WA 98272  
USA  
Phone: +1 360 794 1277  
info@brickingsolutions.com  
www.brickingsolutions.com





# The World of Brokk. Always Within Reach.

With 7000 machines working on exciting projects around the world, Brokk has become synonymous with safety, quality and efficiency. A critical part of our product and support offering is the comprehensive ownership experience our customers have come to expect—from purchase to training to service. It's about staying as close as possible






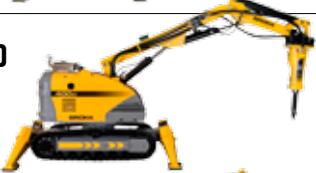




to our markets and our customers. That's why we've developed our worldwide sales and service network, so you have reliable access to Brokk resources, support and offers wherever and whenever you need them. For more information, please contact your local Brokk representative.

“

THE NAME BROKK COMES FROM THE DWARF  
BLACKSMITH IN NORDIC MYTHOLOGY.  
THE EXCEPTIONALLY STRONG DWARF BROKK  
FORGED THE GOD THOR'S HAMMER "MJÖLNIR".  
BROKK WAS SMALL, POWERFUL AND  
UNBEATABLE.

JUST LIKE OUR MACHINES.

# COMPARISON CHART

|                          |   | <i>Weight, kg (lbs)</i>    | <i>Width min. mm (in)</i> | <i>Height min. mm (in)</i> | <i>Power consumption, kW</i> | <i>Pump flow, 50 Hz, l/min<br/>(US gal/min)</i> | <i>Recommend./weight<br/>attachment, kg (lbs)</i> | <i>Vertical reach<br/>(incl. breaker) mm (in)</i> | <i>Horizontal reach<br/>(incl. breaker) mm (in)</i> |
|--------------------------|---|----------------------------|---------------------------|----------------------------|------------------------------|---|---|---|---|
| <b>60<sup>II</sup></b>   |    | 500<br>(1 102)             | 590<br>(23.2)             | 874<br>(34.4)              | 0-6                          | 22<br>(5.8)                                     | 80<br>(175)                                       | 3 100<br>(122)                                    | 2 500<br>(98)                                       |
| <b>110</b>               |    | 990<br>(2 183)             | 780<br>(30.7)             | 1 147<br>(45.1)            | 0-16.5                       | 54<br>(14.3)                                    | 160<br>(353)                                      | 4 300<br>(169)                                    | 3 700<br>(146)                                      |
| <b>120D<sup>II</sup></b> |    | 1 230<br>(2 711)           | 780<br>(30.7)             | 1 250<br>(49.2)            | 18.5 D                       | 50<br>(13.3)                                    | 160<br>(353)                                      | 4 300<br>(169)                                    | 3 700<br>(146)                                      |
| <b>160</b>               |   | 1 600<br>(3 527)           | 780<br>(30.7)             | 1 254<br>(49.3)            | 0-22                         | 62<br>(16.4)                                    | 270<br>(595)                                      | 4 800<br>(189)                                    | 4 400<br>(173)                                      |
| <b>280</b>               |  | 3 150<br>(6 944)           | 1 200<br>(47.2)           | 1 530<br>(60.2)            | 0-27                         | 100<br>(26.5)                                   | 420<br>(924)                                      | 6 200<br>(244)                                    | 5 800<br>(228)                                      |
| <b>400D</b>              |  | 5 100<br>(11 244)          | 1 600<br>(63)             | 1 792<br>(71)              | 0-36                         | 115<br>(30.4)                                   | 600<br>(1 323)                                    | 7 100<br>(280)                                    | 6 700<br>(264)                                      |
| <b>500</b>               |  | 5 200<br>(11 464)          | 1 600<br>(63)             | 1 792<br>(71)              | 0-39                         | 115<br>(30.4)                                   | 700<br>(1 543)                                    | 7 400<br>(291)                                    | 7 000<br>(276)                                      |
| <b>800s</b>              |  | 11 050<br>(24 360)         | 2 200<br>(86.6)           | 2 647<br>(104.2)           | 74 D<br>0-45 E               | 140<br>(37)                                     | 1 200<br>(2 645)                                  | 10 100<br>(398)                                   | 9 400<br>(370)                                      |
| <b>800P</b>              |  | 11 300<br>(24 900)         | 2 200<br>(86.6)           | 2 647<br>(104.2)           | 74 D<br>0-45 E               | 140<br>(37)                                     | 600<br>(1 322)                                    | 10 100<br>(398)                                   | 9 600<br>(378)                                      |
| <b>EX</b>                |  | Brokk 60 EX – Brokk 800 EX |                           |                            |                              |   |   |   |   |

**BROKK**<sup>®</sup>

Brokk AB | P.O. Box 730  
SE-931 27 Skellefteå | Sweden  
Tel +46 910 711 800  
info@brokk.com | www.brokk.com