

BROKK 300

NEW 2018!

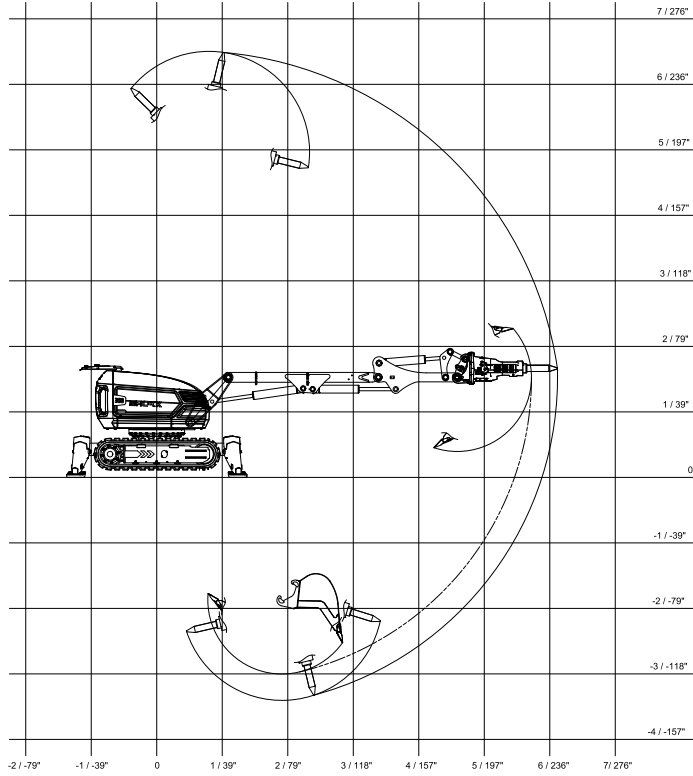


The Evolution of a Legend in Power and Performance

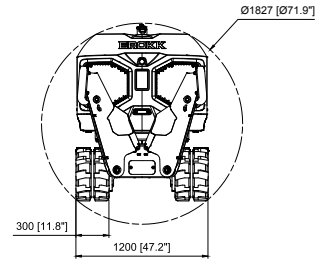
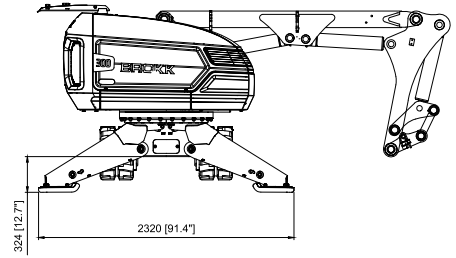
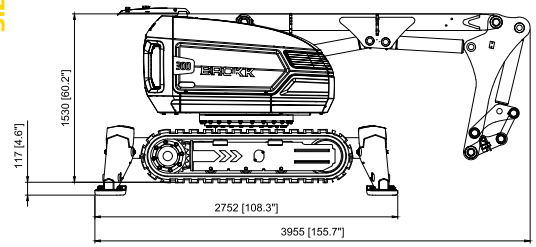
The all new **BROKK 300** is an impressive example of how quickly Brokk demolition robots evolve to meet the ever-increasing demands of the industry. This machine grew out of the legendary mid-sized Brokk machines, but Brokk SmartPower™ enabled it to take one big step up in power. Compared to its predecessor, the Brokk 300 brings a 40% stronger punch and it carries heavier and more powerful tools (BHB 455 and Darda CC580). With impressive power, reach and stability, this model is destined to become another legend in the industry.

- Outstanding all-around demolition versatility
- 37 kW Brokk SmartPower™ electrical system
- Brokk SmartDesign™ and SmartRemote™
- Heavier, more powerful tools
- Compatible with Brokk 280 attachments

RANGE



SIZE



TECHNICAL DATA

Hydraulic breaker in illustrations BHB 455
Load and stability diagram available on request

Performance

Slewing speed 16 sec/360°
Transport speed, max. 2,7 km/h; 1.7 mph
Climbing inclination, max. 30°

Hydraulic system

Hydraulic system capacity 95 l; 25 US gal
Pump type Variable load-sensing
System pressure. 18 MPa; 2 611 psi
Increased pressure to attachment 23 MPa; 3 336 psi
Pump flow 50Hz 100 l/min; 26 US gal/min
60Hz 120 l/min; 32 US gal/min

Power system

Power technology SmartPower
Electric motor type ABB
Power* 37 kW
Recommended fuse size* 63 A
Starting device Soft start/Direct start

Control system

Control type SmartRemote, portable control
Signal code Digital
Transfer Professional radio/Cable
Range, radio Up to 300 m

Weight

Machine weight** 3 650 kg; 8 047 lbs
Recommended attachment weight 500 kg; 1 102 lbs

Noise level

Sound power level L_{WA} *** 95 dB(A)

*Valid for 400V/50Hz and 440V/60Hz

**Excluding options and attachment

***Measured according to directive 2000/14/EC, excl. attachment

OPTIONS

Arm System

Impact and heat protection for cylinder C2 and C3

Undercarriage

Rubber caterpillar tracks
Steel caterpillar tracks

Heat resistance

Heat resistant hoses for hydraulic breaker
Forced draft cooling of machine
Forced draft cooling of breaker
Steel pads for kiln demolition or furnace

Other options

Air flushing through breaker to protect from dust
Water spray through breaker to bind dust
Counterweight
Cable reel with 60 m cable
Extra hydraulic function
Drainage hose
CAN cable connection for tools
Lifting eyes (regular lifting points are standard)

TOOLS

