

Dynapac CC1300

Double drum vibratory rollers



Technical data



Masses

| | |
|-----------------------------|-----------------|
| Max. operating mass | 4030 kg |
| Operating mass (incl. ROPS) | 3900 kg |
| Module mass (front/rear) | 1900 kg/2000 kg |



Compaction

| | |
|---------------------------------|------------------------------|
| Centrifugal force | 33 kN (V2203) /36 kN (D1803) |
| Nominal amplitude | 0.5 mm |
| Static linear load (front/rear) | 14.6/15.4 kg/cm |
| Vibration frequency | 52 Hz (V2203) /53 Hz (D1803) |
| Water tank | 200 l |



Hydraulic system

| | |
|--------------------------------|-------------------------------------------------------------------------------------------------------|
| Driving | Axial piston pump with variable displacement. Radial piston motors (2) with constant displacement. |
| Vibration | Gear pump/motors with constant displacement. |
| Steering | Gear pump with constant displacement. |
| Service brake | Hydrostatic in forward and reverse lever. |
| Parking/ Emergency brake | Failsafe multidisc brake in both drums. |



Engine

| | |
|------------------------|---------------------------|
| Manufacturer/Model | Kubota V2203-M (IIIA) |
| Type | Water cooled |
| Rated power, SAE J1995 | 33 kW (44 hp) @ 2600 rpm |
| Fuel tank capacity | 50 l |



Engine

| | |
|------------------------|----------------------------|
| Manufacturer/Model | Kubota D1803-CR-TE4B (T4f) |
| Type | Water cooled |
| Rated power, SAE J1995 | 37 kW (49 hp) @ 2700 rpm |
| Fuel tank capacity | 50 l |



Traction

| | |
|----------------------|-----------|
| Speed range | 0-10 km/h |
| Vertical oscillation | ±10° |
| Theor. gradeability | 37 % |

Find us locally at www.dynapac.com

We reserve the right to change specifications without notice. Photos and illustrations do not always show standard versions of machines.
The above information is a general description only, all informations are supplied without liability.

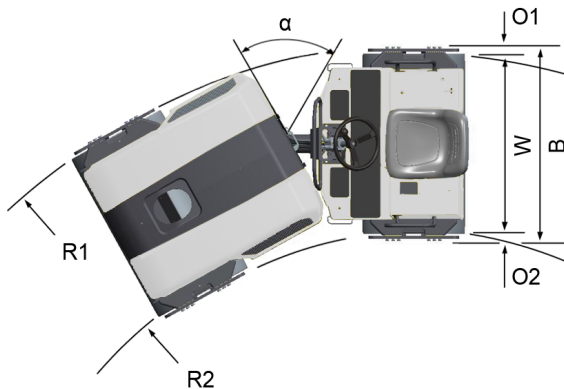
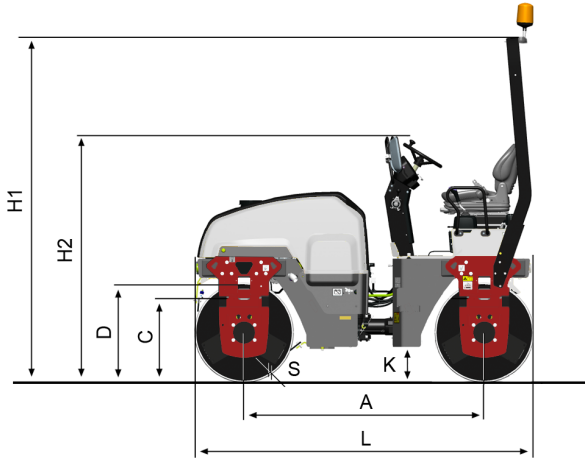
dynapac_cc1300_en-20190328.080523.pdf 2019-03-28 08:05

Dynapac CC1300

Double drum vibratory rollers



Technical data



| Dimensions | |
|-----------------------------|----------------|
| A. Wheelbase | 1925 mm |
| B. Width | 1450 mm |
| C. Curb clearance | 600 mm |
| D. Drum diameter | 802 mm |
| H1. Height, with ROPS/cab | 2750 mm |
| H2. Height, w/o ROPS/cab | 1855 mm |
| K. Ground clearance | 260 mm |
| L. Length | 2725 mm |
| O1. Overhang, right | 50 mm |
| O2. Overhang, left | 50 mm |
| R1. Turning radius, outside | 4240 mm |
| R2. Turning radius, inside | 2940 mm |
| S. Drum shell thickness | 16 mm |
| W. Drum width | 1300 mm |
| α . Steering angle | $\pm 30^\circ$ |



Standard equipment

Backup alarm, Working lights



Optional equipment

3" seatbelt, Biodegradable hydraulic fluid, Cert. Fire protection (SBF 127), Decal risk location (GOST), Fire extinguisher, Foot rest, Hearing protectors, Licence plate light, Rear view mirror (traffic view), Service kit 50/500/1000H, Side direction lights (driving lights required), Slow moving vehicle sign, Special color (one or two), Tool set, Towing eyelet, Water tank cover (lockable)

Find us locally at www.dynapac.com

We reserve the right to change specifications without notice. Photos and illustrations do not always show standard versions of machines. The above information is a general description only, all informations are supplied without liability.